



FT20 Auditorium Seating Assembly Instructions

INTRODUCTION

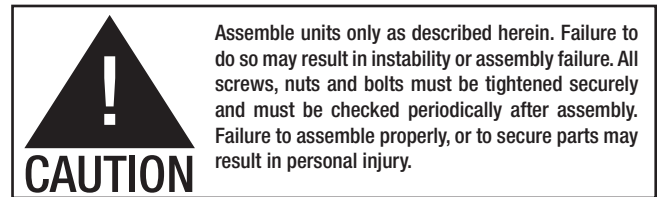
The FT20 auditorium seating system is intended to be used in a commercial setting. The system consists of the following components:

- Single Frame
- Beam Mount
- Riser Mount
- Seat
- Low Seat Back
- Mid Rise Seat Back
- High Seat Back
- Ultra Slim Seat Back
- Mesh Seat Back
- Power System
- Tablet Arm

Note: Read these assembly instructions carefully prior to product installation. Electrically interconnected furnishings must also be mechanically interconnected. Product failure and personal injury may result if instructions are not followed.

TOOLS REQUIRED

- Hammer drill and 1/4" masonry bit for concrete anchor holes
- Drill and bit for pilot holes in wood floor
- #3 Phillips head screw driver
- #2 Phillips head screw driver
- Wrench Set
- Socket Set
- Allen Wrench
- 4' Level
- 6-8' Flexible straight edge 1/4 round or equivalent
- 25 and 100' Tape Measure
- Tailor's Chalk
- FT20 Drill Template



IMPORTANT SAFETY INSTRUCTIONS

When using an electrical furnishing, basic precautions should always be followed, including the following:

Read all instructions before installing the FT20 Chair

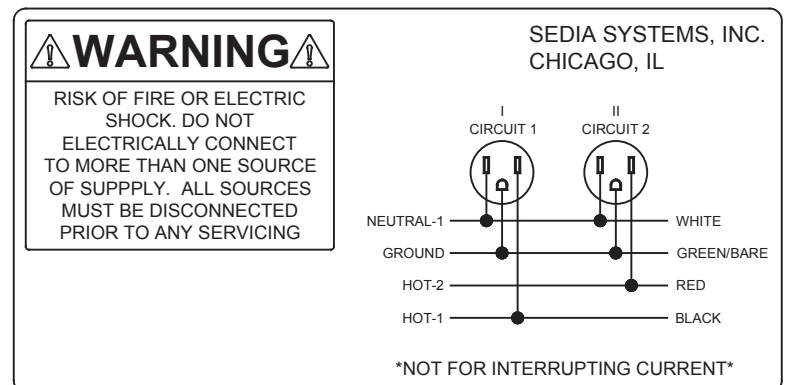
WARNING:

1. Risk of Electrical Shock - Connect this furnishing to a properly grounded outlet only. See Grounding Instructions.
2. Do not use outdoors.
3. Use this furnishing only for its intended use described in these instructions. Do not use attachments not recommended by the manufacturer.
4. The maximum intended load for this seat is 300 pounds (102 Kilograms).
5. Functional Tablet Load - 20 Pounds (9 kg)

GROUNDING INSTRUCTIONS

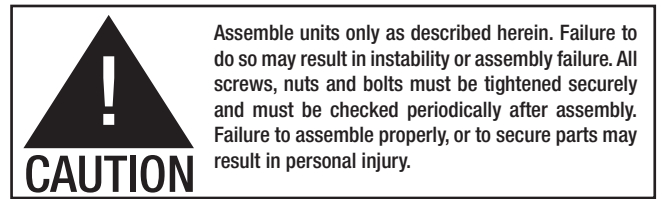
This product must be connected to a grounded metal, permanent wiring system, or an equipment-grounding conductor must be run with the circuit conductors and connected to the equipment-grounding terminal or lead on the product.

Note: The power infeeds are to be connected to the power source by a qualified electrician who must also check the electrical integrity of the finished system installation.



SAVE THESE INSTRUCTIONS

FT20 Auditorium Seating Assembly Instructions



Wood Floors

- Minimum two layers of 3/4" thick plywood
- APA rated grade plywood
- Allow minimum embedment 1-1/2" with lag screws
- Use toggle bolt if less than 1-1/2" embedment

Concrete Floors

- 3000 psi concrete compressive strength
- 3" thick free of obstruction for 1-1/2"
- Minimum anchor embedment 1-1/2"

Note: Warranty null and void if Sedia Systems FT20 seating product line is installed on flooring that does not meet the minimum structural requirements stated above.

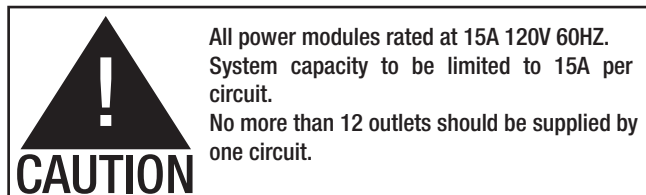
FLOOR FASTENER REQUIREMENTS

Wood Floors

- 3/8" x 2-1/2" lag bolts
- 3/8" flat washers
- (4) Bolt assemblies required per seat pedestal

Concrete Floors

- 1/4" x 2-5/8" concrete anchors
- 3/8" flat washers
- (4) Bolt assemblies required per seat pedestal



Site Preparation

1. Read and review the assembly instructions.
2. Review project drawings and layouts.
3. Locate floor center.
4. Locate row size line.
5. Draw size line for straight or radius rows.
6. Mark hole centerline for first chair.
7. Mark incremental hole centerline locations.
8. Use drill template to mark hole locations.
9. Use carpet punch at each hole location.
10. Locate and drill anchor holes into floor.
11. Vacuum holes to remove debris.

Chair Installation

12. Mount base to the floor with anchor bolts.
13. Align seat back bracket to base and slide to side.
14. Tighten seat attachment bolts with wrench.
15. Assemble seat by aligning pins with pivot disc slot.
16. Install seat pivot cap with seat in the down position.
17. Slide foot cover around post with slot facing front, snap small cover onto base clip to lock in place.

Steps for Installing Power Option

Before Assembling Seat:

1. Drill pilot holes onto both sides of seat post as per dimensions on layout.
2. Attach the raceway brackets to seat post.
3. Attach the raceway to the brackets.
4. Place the power whip into the raceway.
5. Attach the duplex outlet to the whip or jumper.
6. Attach the raceway end caps to each side.
7. Attach the raceway cover so the outlet module fills the outlet opening in the cover.
8. Assemble seat by aligning pins with pivot disc slot.
9. Install seat pivot cap with seat in the down position.
10. Connect electrical whip to the main power source.
11. Mount row and seat numbering (optional).
12. Clean product and site for walk through.

Note: Dimensional spacing referenced is centerline to center line unless otherwise noted.

FT20 Auditorium Seating Assembly Instructions

ROUTINE CARE AND MAINTENANCE

1. All parts are lubricated for life.
2. Any service should be conducted by an authorized service representative.
3. Perform periodic inspections for loose or broken parts.

LAMINATE: To clean the surface, use a damp cloth or sponge and a mild soap or detergent. Difficult stains such as coffee or tea can be removed using a mild household cleaner and baking soda; mixing to achieve a paste consistency. Use a stiff nylon bristle brush, scrubbing (approx. 15-20 strokes) the affected area. Do not scrub so as to mar (damage, scratch) the surface finish. Stubborn stains that resist any of the above cleaning methods may require the use of undiluted household bleach or nail polish remover. Use a cotton ball saturated with bleach or nail polish remover (acetone); gently rub the stain for up to two minutes. Rinse thoroughly with warm water and wipe dry using a soft cloth. This step may be repeated if the stain appears to be going away and the color of the laminate has not been affected.

CAUTION:

Prolonged exposure of the laminate and powder coat surfaces to bleach will cause discoloration. Always rinse laminate and powder coat surfaces after cleaning! Failure to rinse after cleaning can cause damage; even if a small amount of cleaning solution remains on the surface. A dry residue may be invisible; however, moisture from cups or drinks can reactivate it, and result in permanently etched scars or stains over time.

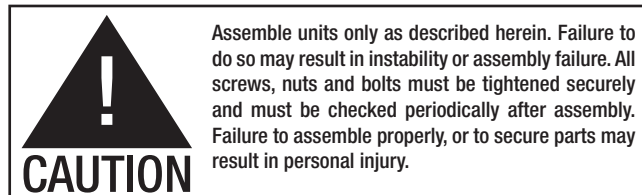
Recommended Household Cleaners:

- Clorox®* • Formula 409® • Dawn® • Fantastik®
- Dow Bathroom Cleaner with Scrubbing Bubbles™
- Favor® • Windex® • Lestoil® • Glass Plus®
- Pledge® • Grease Relief® • Mr. Clean® • TOP JOB®
- Lysol® Brand Disinfectant Basin/Tub/Tile Cleaner

* Prolonged exposure can mar the surface

CAUTION:

Acidic or **abrasive** cleaners can damage laminate and powder coat surfaces; do not use them. Drain cleaners containing lye will permanently damage the laminate surface. If you spill a drain cleaner, wipe it up immediately and rinse several times with water. Hair, textile and food **dyes** can cause permanent stains. If dye should happen to spill, wipe it up immediately with dishwashing detergent or an all-purpose cleaner. Wipe spills away promptly and rinse several times with water.



Rust removers contain harsh chemicals, which will quickly cause permanent damage. If a spill occurs, wipe off all residues immediately, wash thoroughly with soapy water and rinse several times. Steel wool and other abrasive pads will damage the laminate and powder coat face. Do not use them for cleaning and don't store steel wool pads on your countertop; the metal can rust and leave stains. Toilet bowl cleaners contain harsh chemicals that can cause permanent damage. If spills occur, wipe up immediately, wash surface with soapy water and rinse several times.

The cleaners listed below can cause damage to the surface of laminate:

Chemical Ingredient	Synonymous Names
Hydrochloric Acid	Muriatic Acid Hydrogen Chloride
Sulfuric Acid	Oleic Acid Oil of Vitriol Oleum
Hydrofluoric Acid	Rust Remover
Phosphoric Acid	Rust Remover
Sodium Hydroxide	Caustic Soda Caustic Soda Lye Lye
Pumice (abrasive)	


Remember, sharp objects can damage the surface of laminate and powder coat surfaces, marring its beauty and lowering wear and stain resistance. Although the laminate and powder coat surfaces are somewhat resistant to scratch and marring, they can be damaged, even under normal use.

Laminate and powder coat surfaces may need occasional dusting depending on where it's used. To keep the surface beautiful, use a non-oily furniture spray. (Remember to clean the spray off several times a year to prevent build-up.) Furniture polish can also help hide fine scratches in the surface.

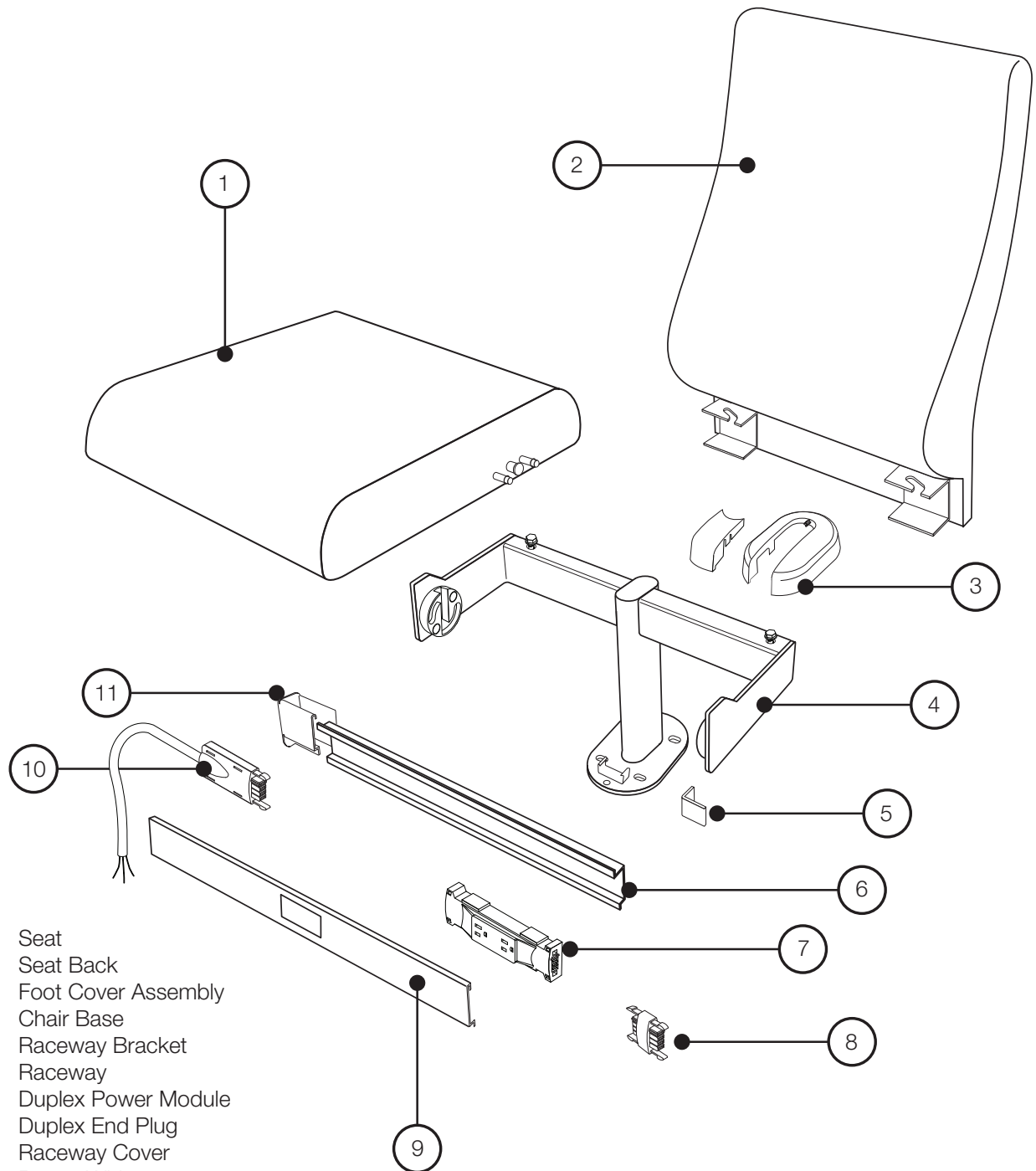
UPHOLSTERED FABRIC: Clean with water-based cleaning agents, foam or pure water-free solvents. Vacuuming or light brushing is recommended to prevent dust and soil buildup. For answers to additional questions regarding care or cleaning please contact Sedia Systems.

FT20 Auditorium Seating Assembly Instructions

Standard Floor Mounted Chair

**CAUTION**


Assemble units only as described herein. Failure to do so may result in instability or assembly failure. All screws, nuts and bolts must be tightened securely and must be checked periodically after assembly. Failure to assemble properly, or to secure parts may result in personal injury.



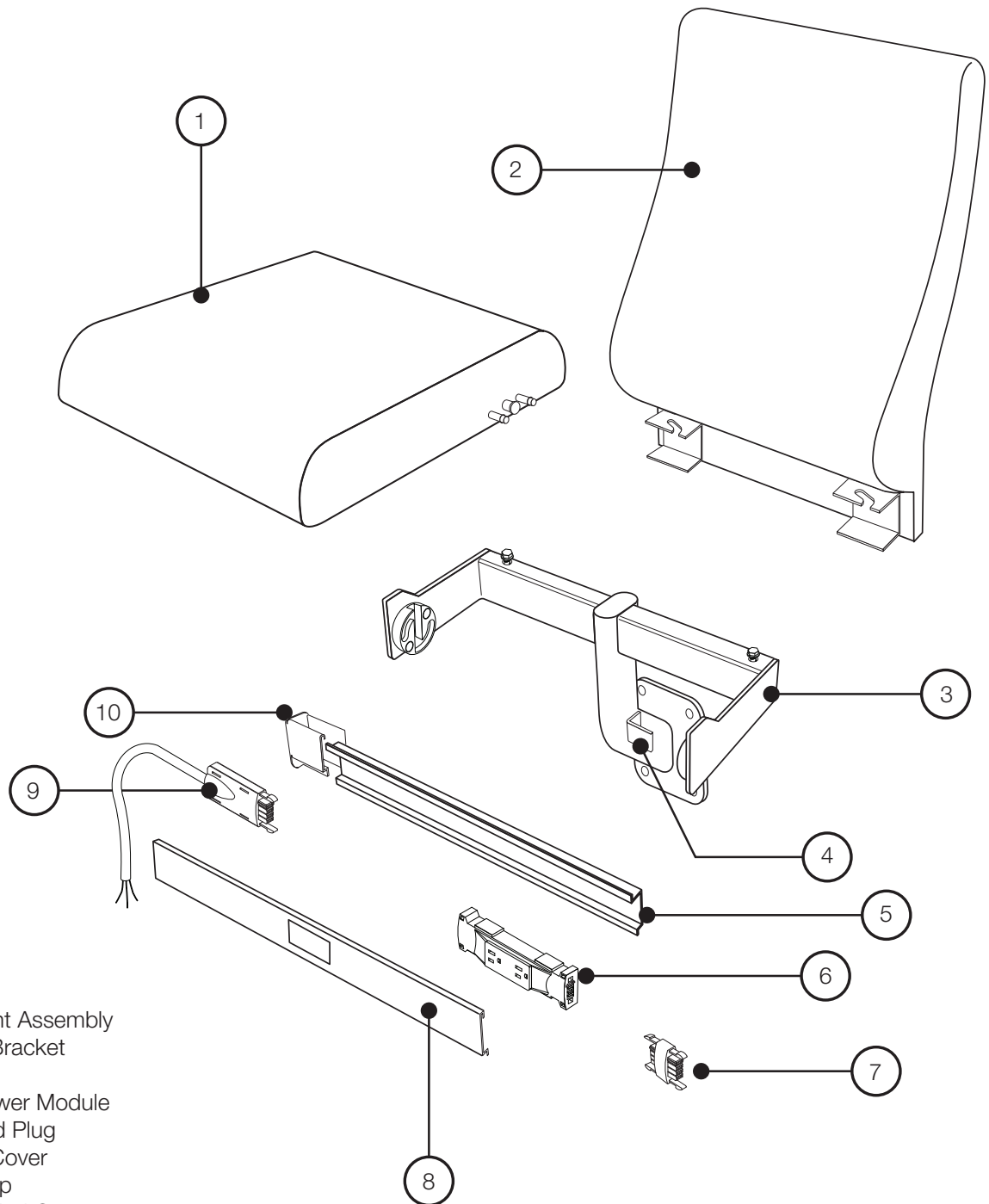
1. Seat
2. Seat Back
3. Foot Cover Assembly
4. Chair Base
5. Raceway Bracket
6. Raceway
7. Duplex Power Module
8. Duplex End Plug
9. Raceway Cover
10. Power Whip
11. Raceway End Cap

FT20 Auditorium Seating Assembly Instructions

Standard Riser Mounted Chair

**CAUTION**


Assemble units only as described herein. Failure to do so may result in instability or assembly failure. All screws, nuts and bolts must be tightened securely and must be checked periodically after assembly. Failure to assemble properly, or to secure parts may result in personal injury.



1. Seat
2. Seat Back
3. Riser Mount Assembly
4. Raceway Bracket
5. Raceway
6. Duplex Power Module
7. Duplex End Plug
8. Raceway Cover
9. Power Whip
10. Raceway End Cap

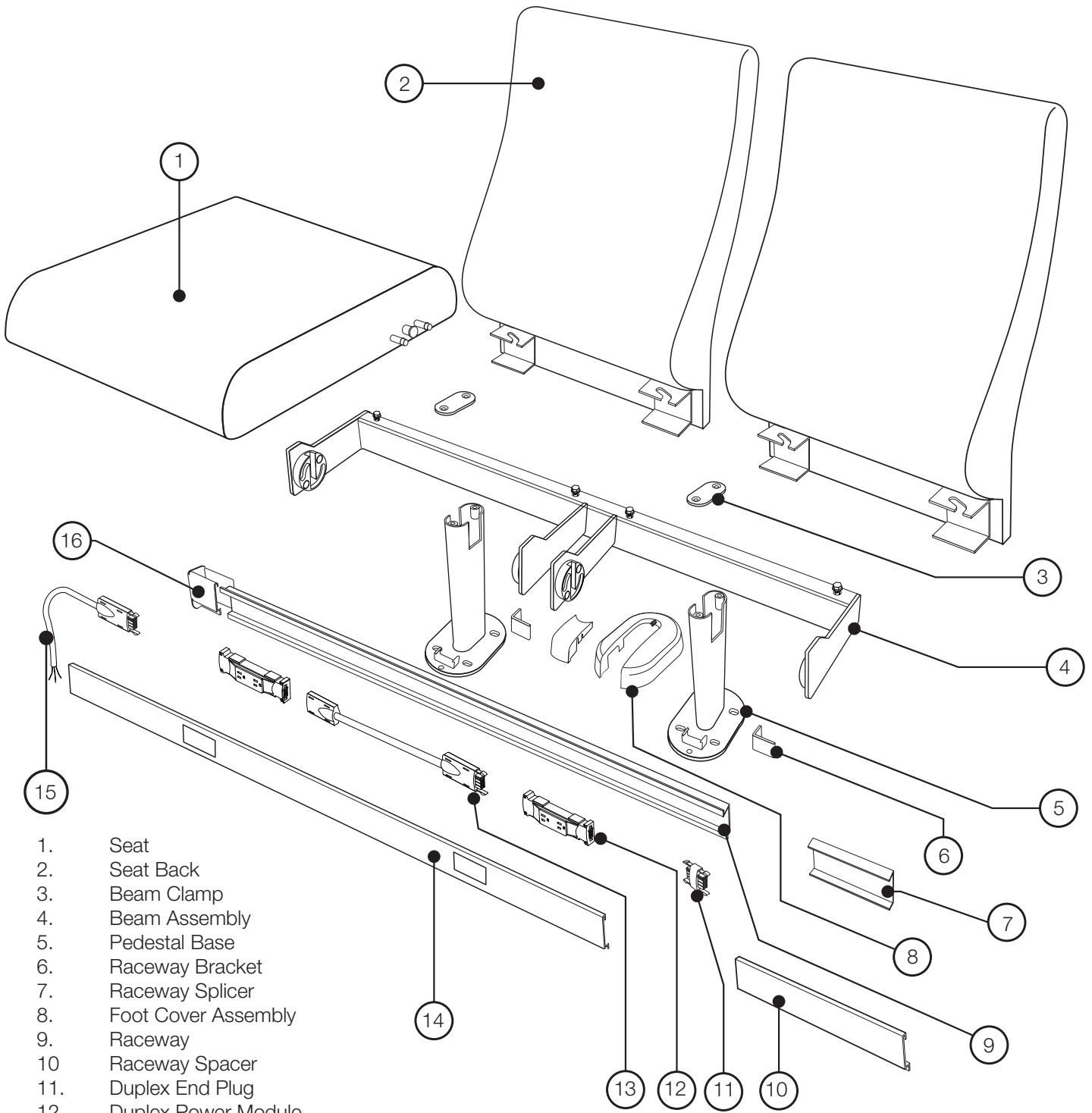
FT20 Auditorium Seating Assembly Instructions

Standard Beam Mounted Chair




Assemble units only as described herein. Failure to do so may result in instability or assembly failure. All screws, nuts and bolts must be tightened securely and must be checked periodically after assembly. Failure to assemble properly, or to secure parts may result in personal injury.

CAUTION



1. Seat
2. Seat Back
3. Beam Clamp
4. Beam Assembly
5. Pedestal Base
6. Raceway Bracket
7. Raceway Splicer
8. Foot Cover Assembly
9. Raceway
10. Raceway Spacer
11. Duplex End Plug
12. Duplex Power Module
13. Jumper Cable
14. Raceway Cover
15. Power Whip
16. Raceway End Cap

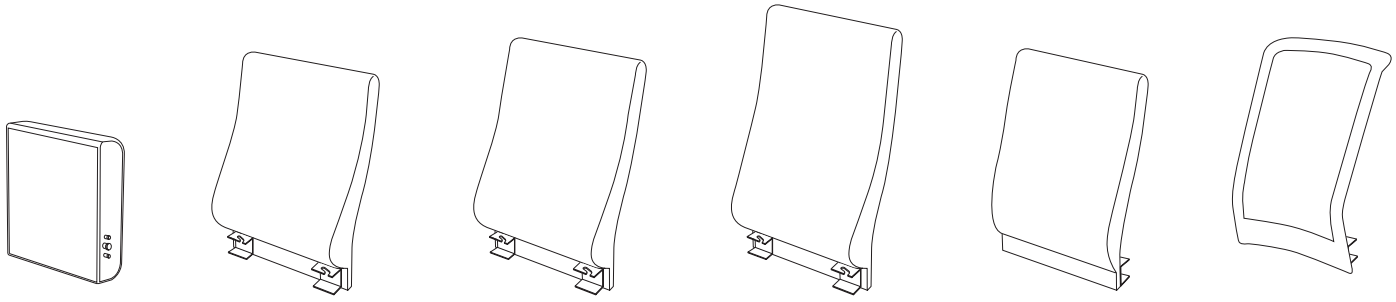
FT20 Auditorium Seating Assembly Instructions



CAUTION

Assemble units only as described herein. Failure to do so may result in instability or assembly failure. All screws, nuts and bolts must be tightened securely and must be checked periodically after assembly. Failure to assemble properly, or to secure parts may result in personal injury.

System Components



Seat
20-26 inch widths

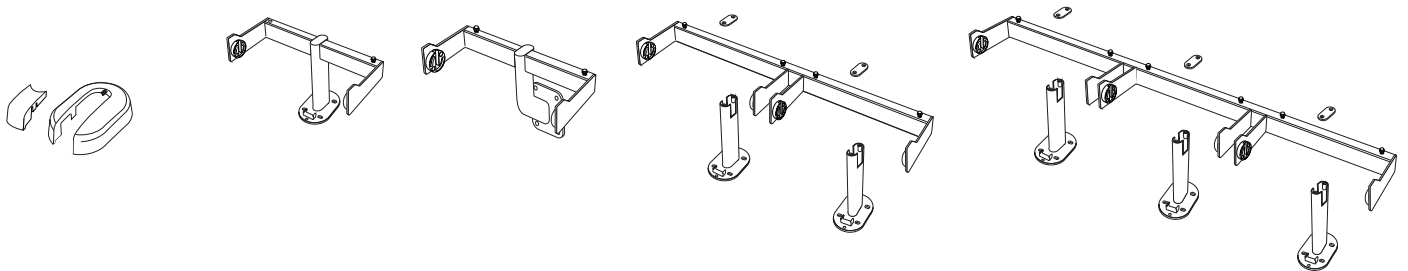
Low Back

Mid Back (STD)

High Back

Ultra Slim Back

Mesh Back



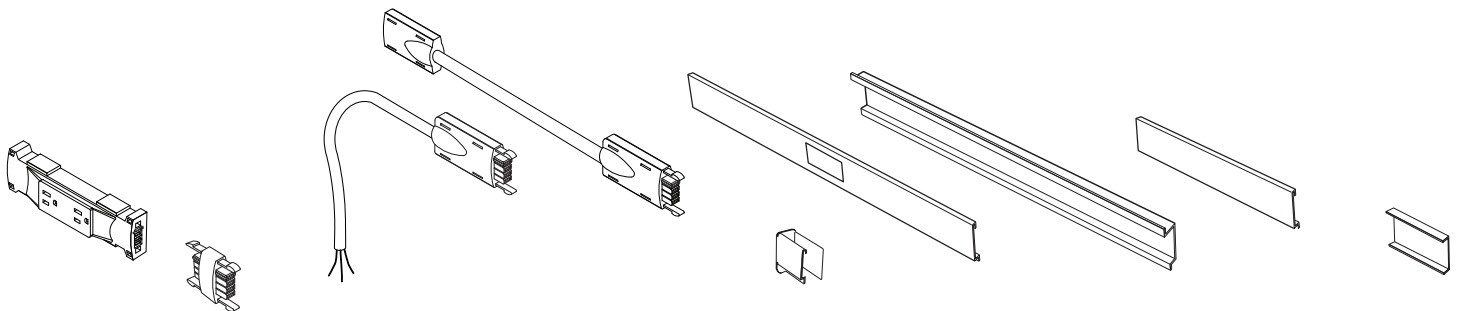
Foot Cover

Single Base

Riser Mount

Dual Beam

Triple Beam



Duplex Module

End Plug

Power Whip
72 - 300 Inches

Jumper Cable
Lengths Based
on Layout Drawing
8 - 300 Inches

End Cap

Cover
Lengths Based
on Layout Drawing
10 - 48 Inches


Raceway
Lengths Based
on Layout Drawing
17 - 72 Inches

Spacer

Splicer

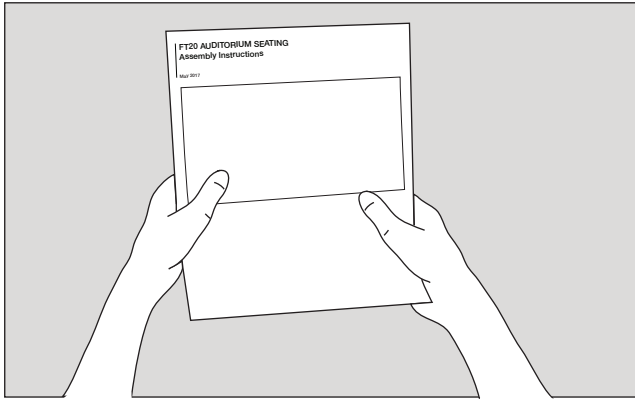
FT20 Auditorium Seating Assembly Instructions

Site Preparation

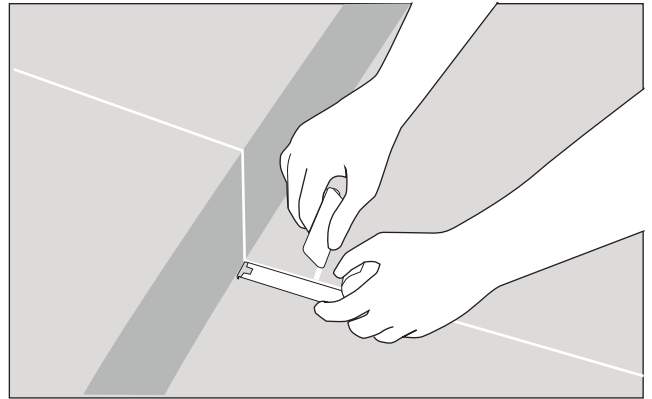


Assemble units only as described herein. Failure to do so may result in instability or assembly failure. All screws, nuts and bolts must be tightened securely and must be checked periodically after assembly. Failure to assemble properly, or to secure parts may result in personal injury.

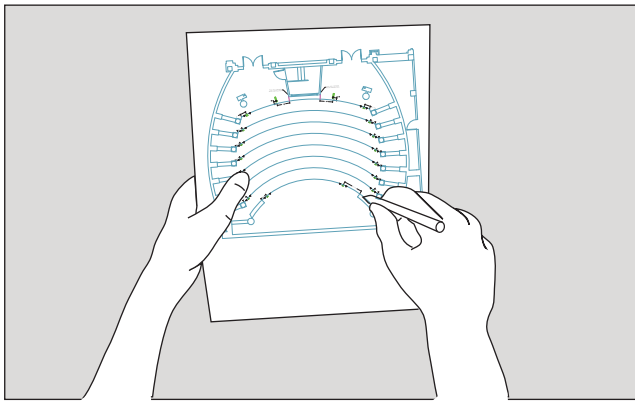
CAUTION



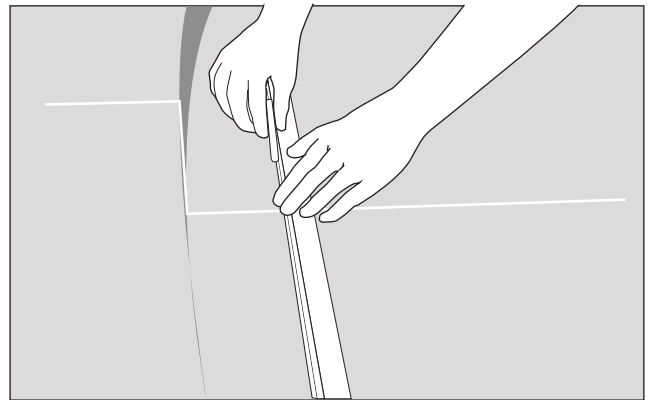
Step 1: Read and review the assembly instructions.



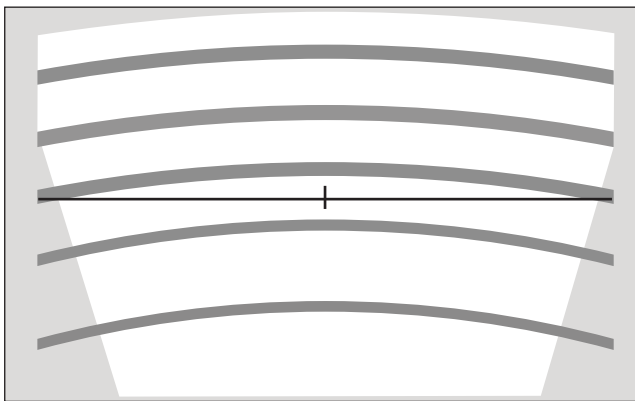
Step 4: Use layout drawing to locate row size line from back of riser and mark with chalk.



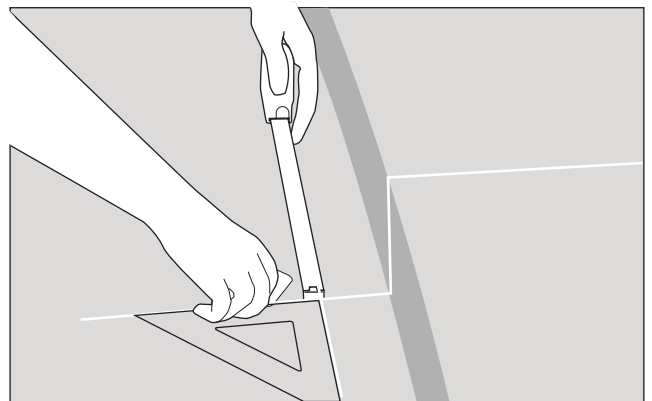
Step 2: Refer to layout drawings and verify room dimensions.



Step 5: Draw the size line. For radius floor, use 1/4 round or equivalent to get the radius size line.




Step 3: Use tape measure to locate room center and other reference dimensions and mark with chalk



Step 6: Mark hole locations of the first chair symmetric the center line and according to the drawing.

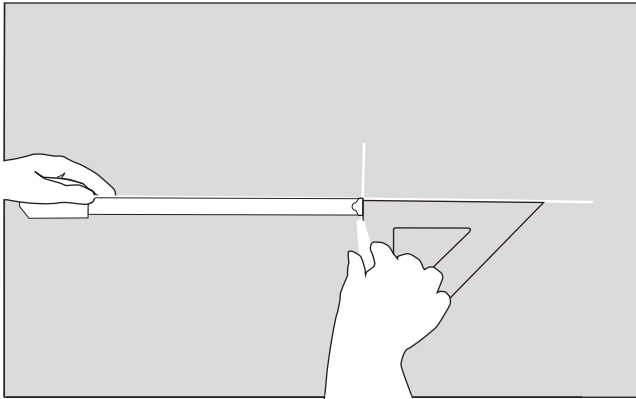
FT20 Auditorium Seating Assembly Instructions

Site Preparation

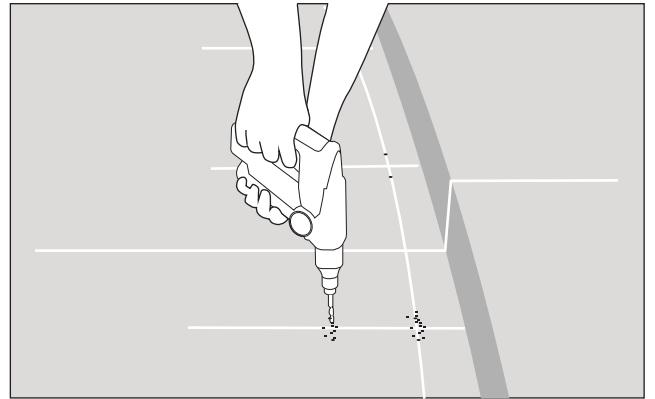


Assemble units only as described herein. Failure to do so may result in instability or assembly failure. All screws, nuts and bolts must be tightened securely and must be checked periodically after assembly. Failure to assemble properly, or to secure parts may result in personal injury.

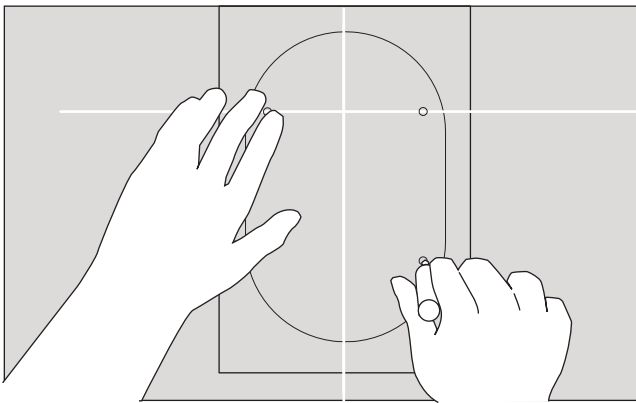
CAUTION



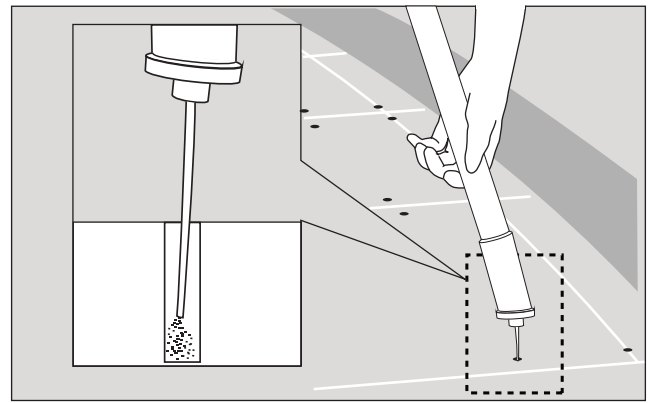
Step 7: Mark all hole locations by incrementing dimensions sequentially as per drawing.



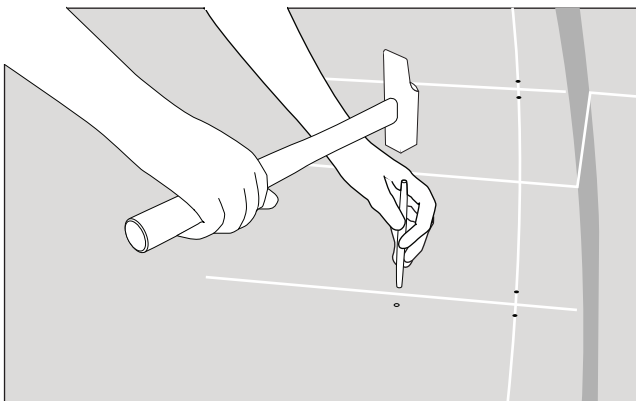
Step 10: Drill holes using 1/4" x 4" concrete drill bit. Concrete Floor - 4 holes, Wood Floor - 4 pilot holes only.



Step 8: Center drill template and mark hole locations.



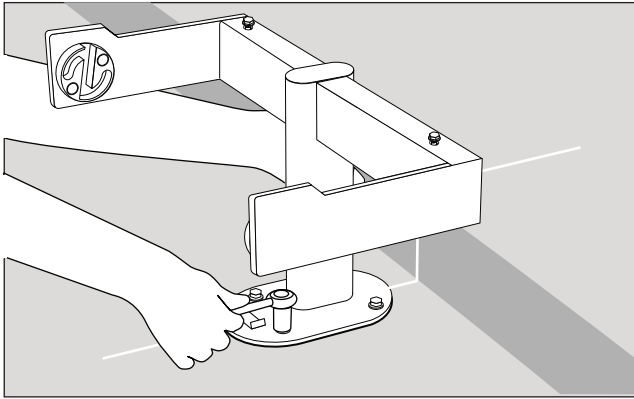
Step 11: Vacuum holes to remove wood/concrete particles.



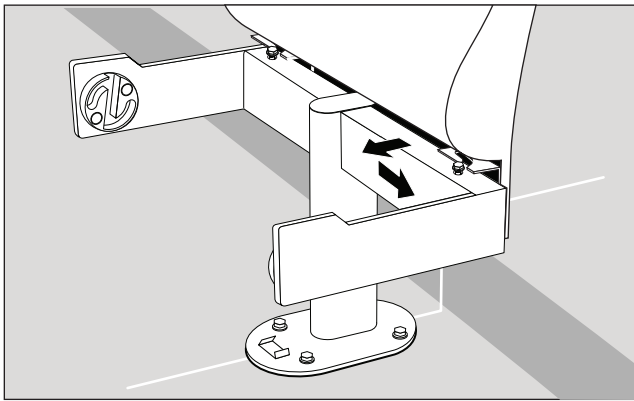
Step 9: Punch carpet using hammer and punch. Remove thread material and ensure drill area is free of debris.

FT20 Auditorium Seating Assembly Instructions

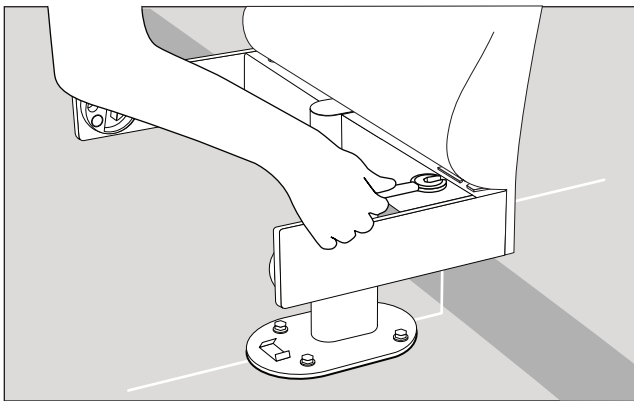
Chair Installation



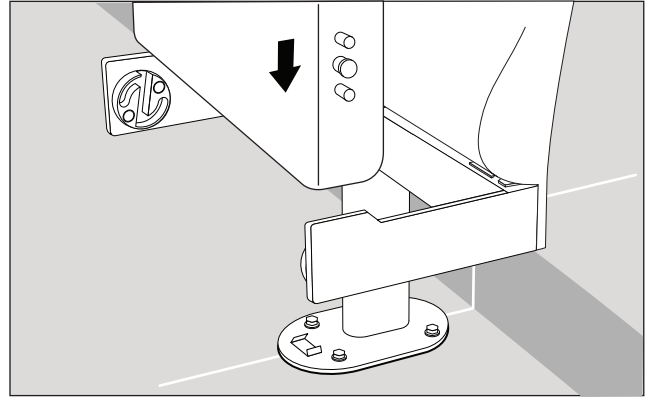
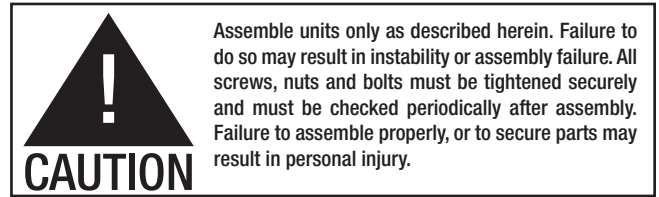
Step 12: Align base and fasten with wood/
concrete anchors. Concrete Floor - 4 Bolts.
Wood Floor - 4 Bolts.



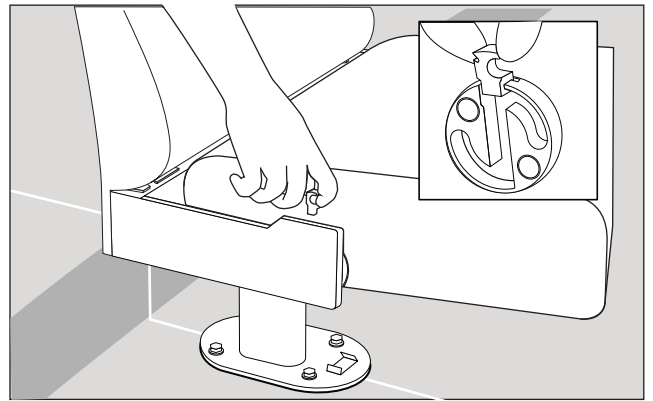
Step 13: Assemble back by sliding bracket onto frame
from rear side and sliding to the left.



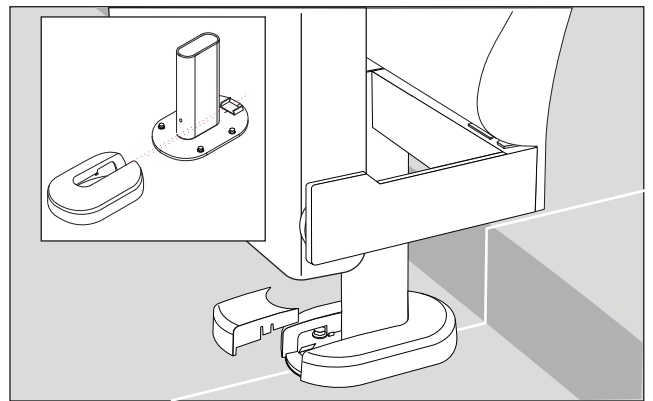
Step 14: Tighten seat attachment bolts with box end
wrench.



Step 15: Assemble seat by positioning pins over the
slot in the pivot and lowering the seat.




Step 16: With the seat in the down position, insert the
pivot cap into the pivot disc so the notch is filled and
the cap snaps into place.



Step 17: Assemble the foot cover so the pin engages
the hole on the rear of the tube. Snap the cover clip
into place.

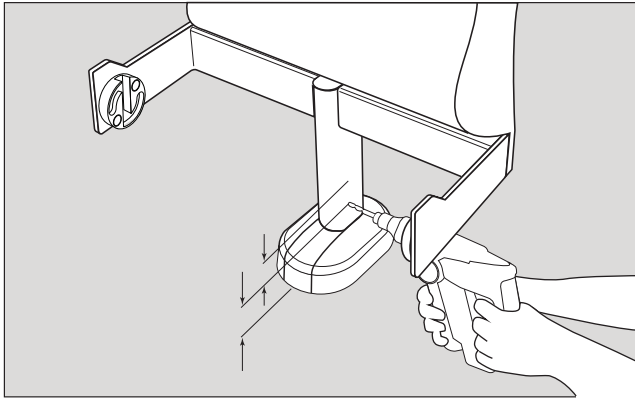
FT20 Auditorium Seating Assembly Instructions

Power System Installation

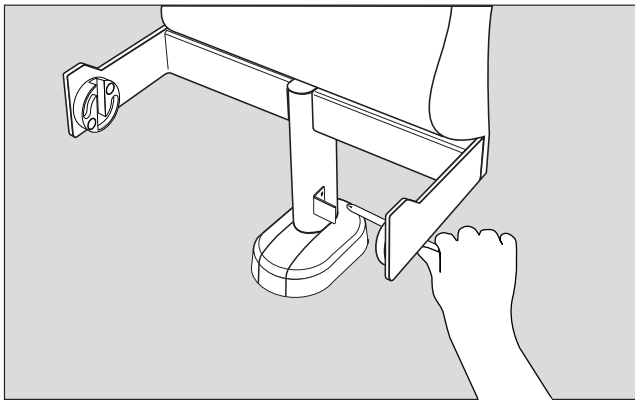


Assemble units only as described herein. Failure to do so may result in instability or assembly failure. All screws, nuts and bolts must be tightened securely and must be checked periodically after assembly. Failure to assemble properly, or to secure parts may result in personal injury.

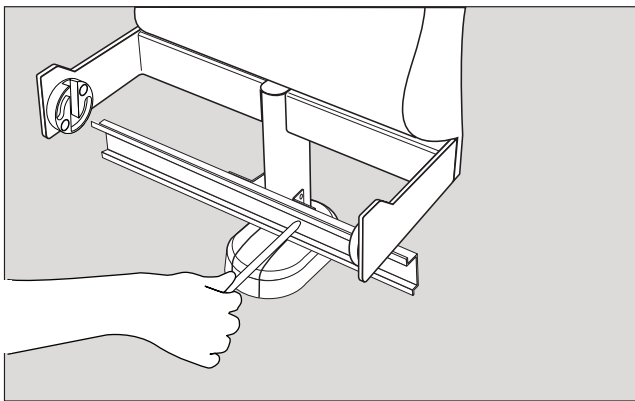
CAUTION



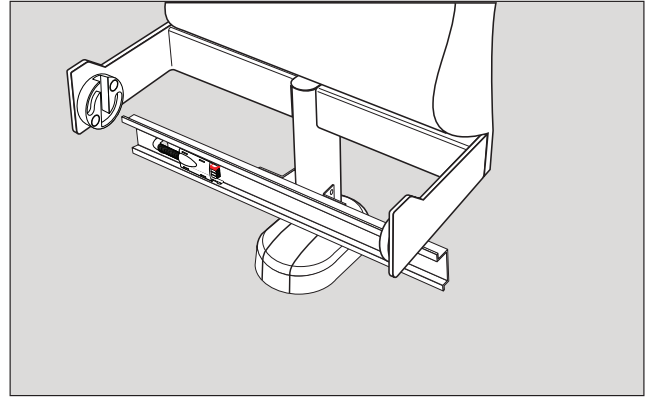
Step 1: Before the seat is assembled, drill pilot holes for the support brackets on side of tube. Dimensions will be defined by the layout drawings.



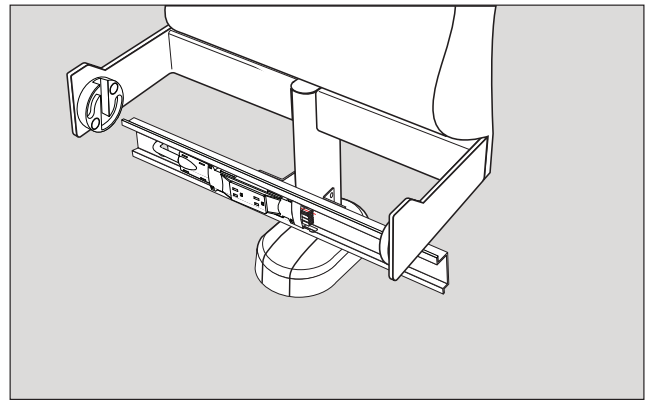
Step 2: Assemble the brackets with metal cutting screws and a phillips head screw driver.



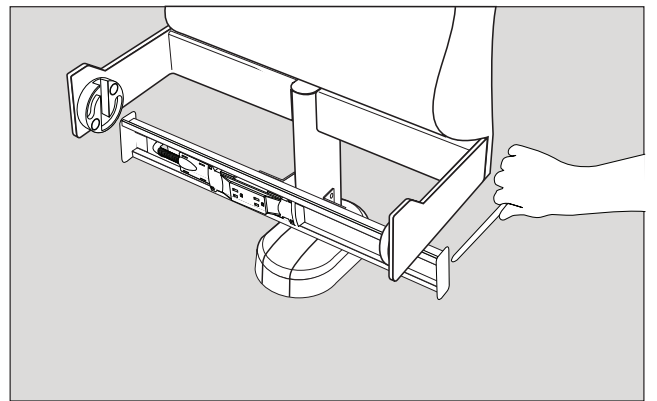
Step 3: Center the raceway and assemble to the brackets with #10-32 screws.



Step 4: Assemble the power whip into the raceway through the hole in the back of the raceway.




Step 5: Attach the duplex outlet to the power whip and add the end plug.



Step 6: Assemble the end caps to each side of the raceway with #8x1/2" screws.

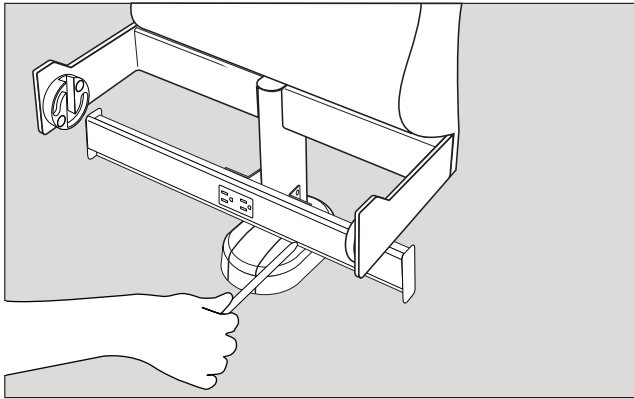
FT20 Auditorium Seating Assembly Instructions

Power System Installation

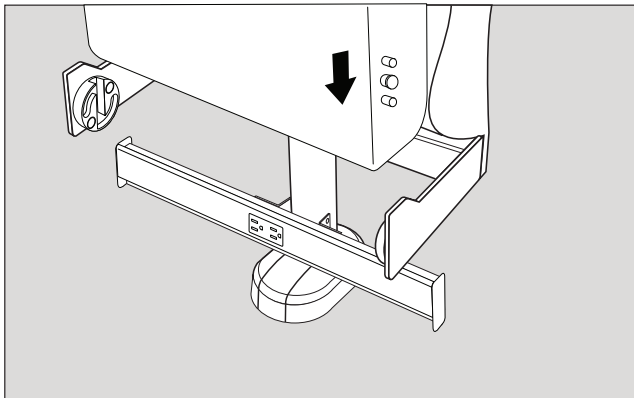


CAUTION

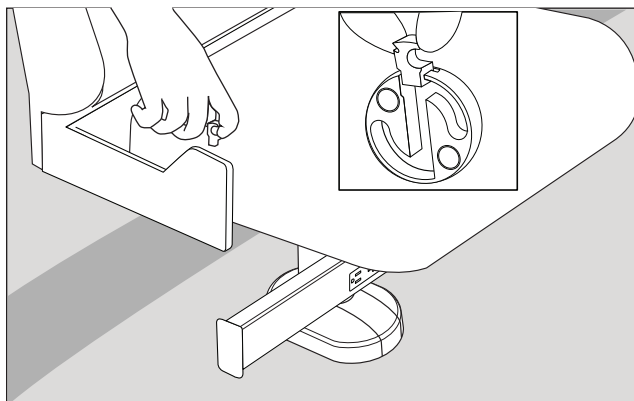
Assemble units only as described herein. Failure to do so may result in instability or assembly failure. All screws, nuts and bolts must be tightened securely and must be checked periodically after assembly. Failure to assemble properly, or to secure parts may result in personal injury.



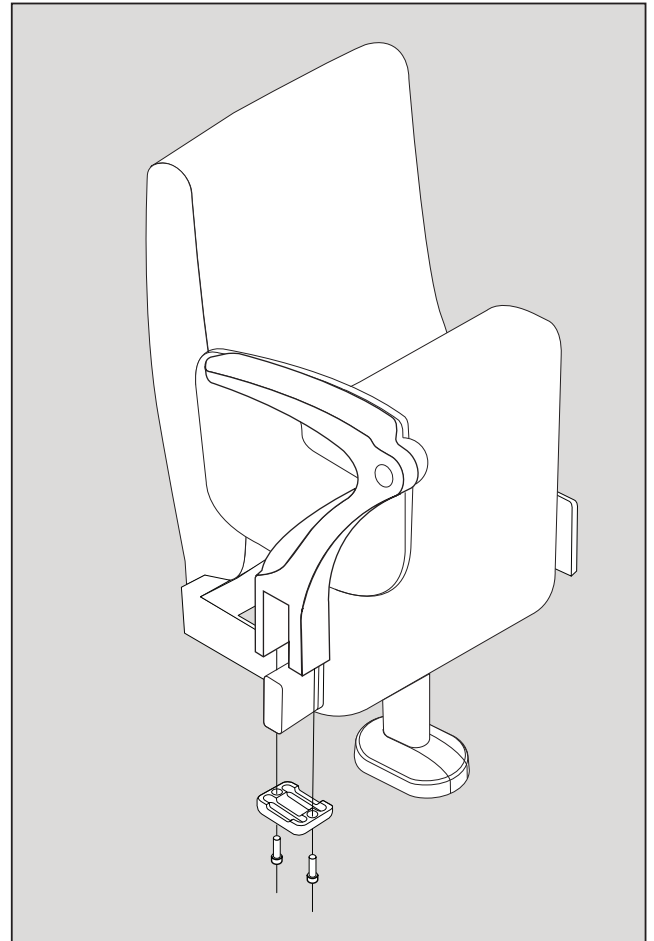
Step 7: Assemble the raceway cover so the duplex outlet fills the hole. Attach with #8x1/2" screws.



Step 8: Assemble seat by positioning pins over the slot in the pivot and lowering the seat.



Step 9: With the seat in the down position, insert the pivot cap into the pivot disc so the notch is filled and the cap snaps into place.



Installing the Wromatic Tablet Arm Option:

Assemble the Wromatic arm to the post by attaching the clamp plate to the bottom of the arm with (2) provided M6 x 25mm socket head cap screws. Tighten the screws to clamp the arm onto the post.