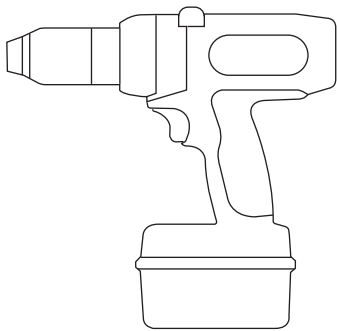
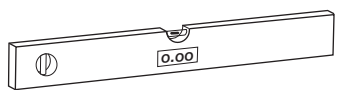


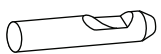
TOOLS REQUIRED



Drill



Level



Carpet Punch



CONCRETE



WOOD



1/4"



15/64"



7/16"



1/2"

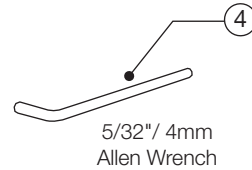
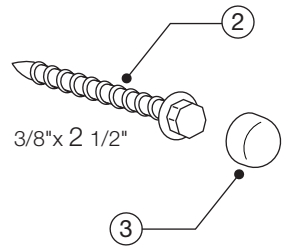
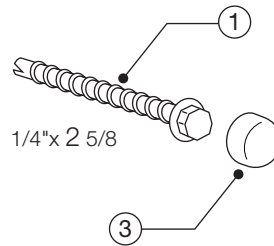
HARDWARE INCLUDED



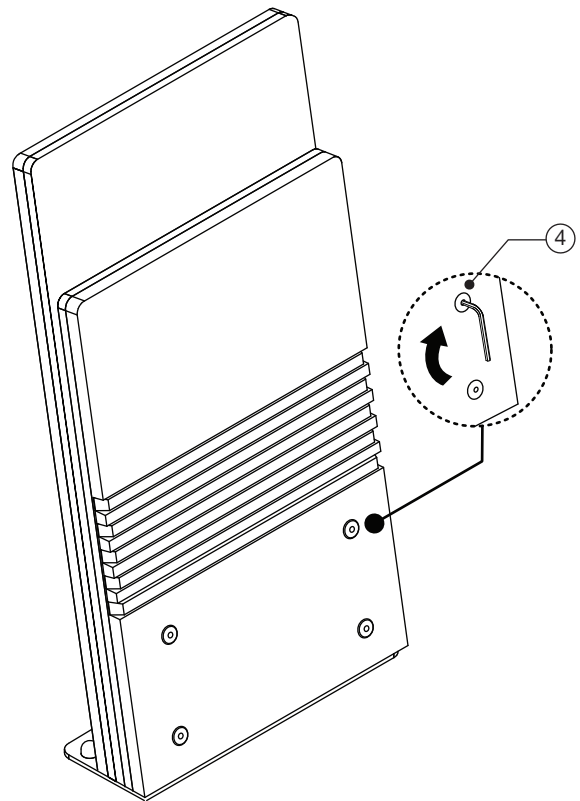
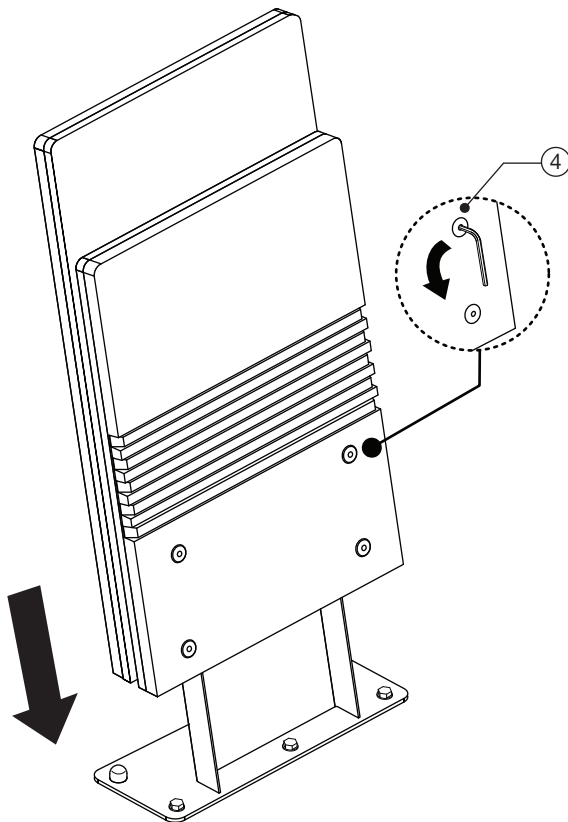
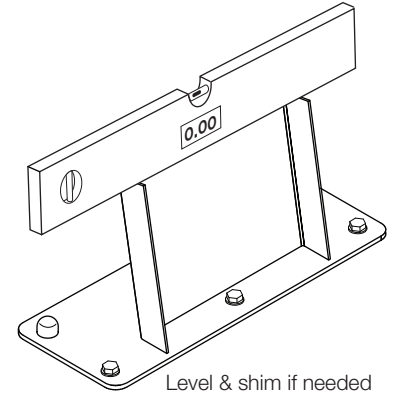
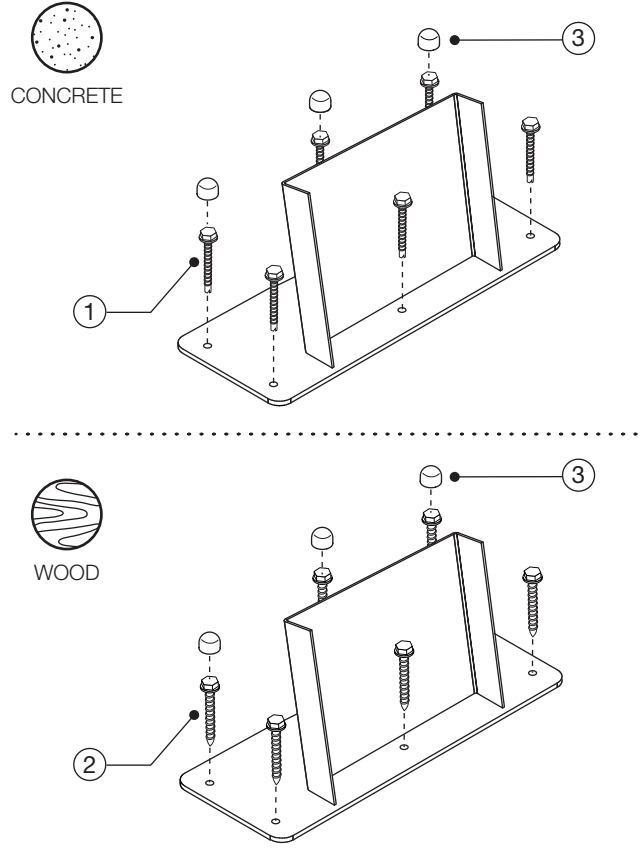
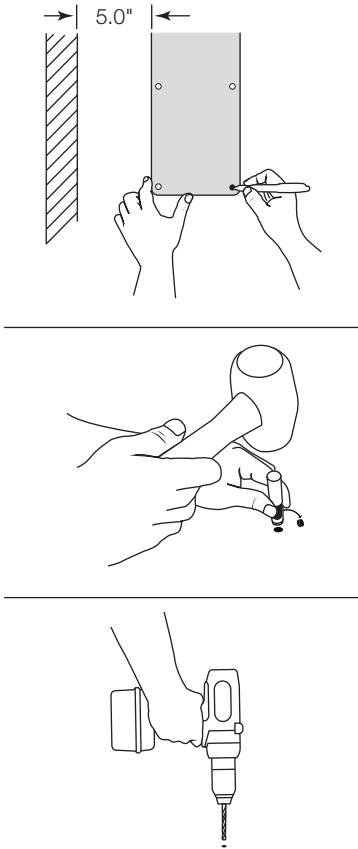
CONCRETE



WOOD



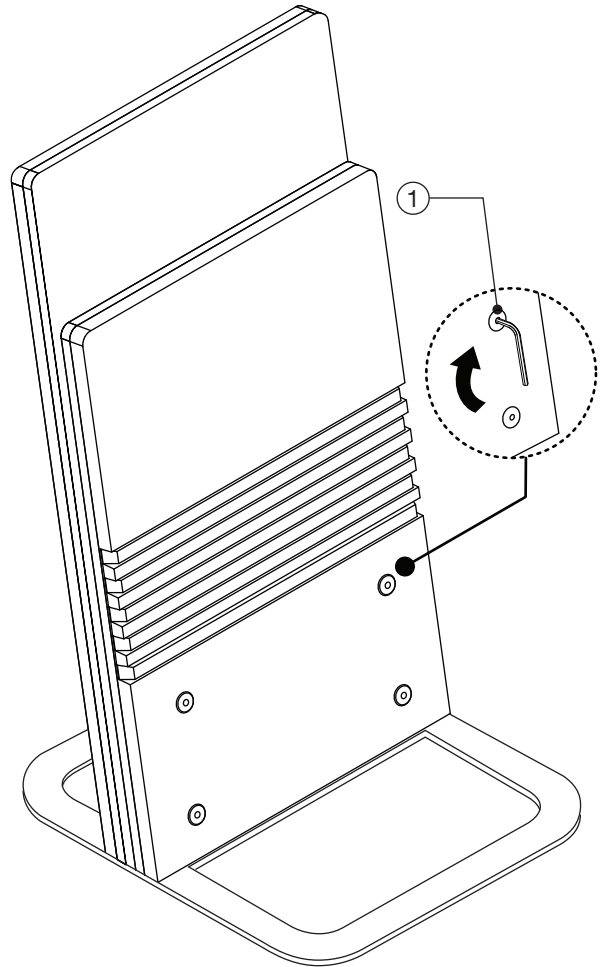
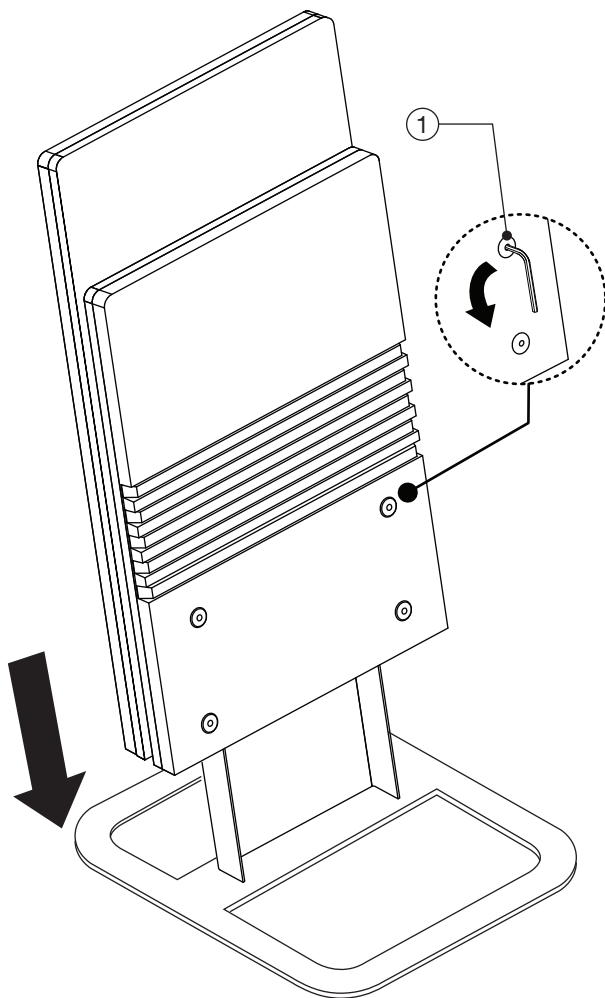
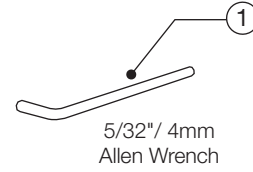
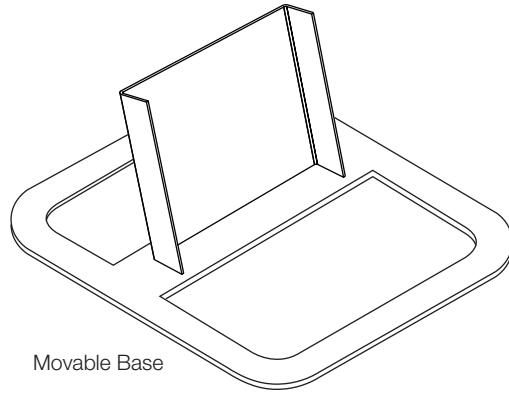
JumpSeat® Assembly Instructions

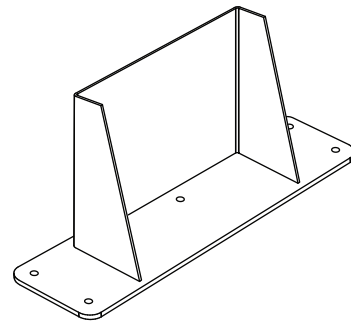
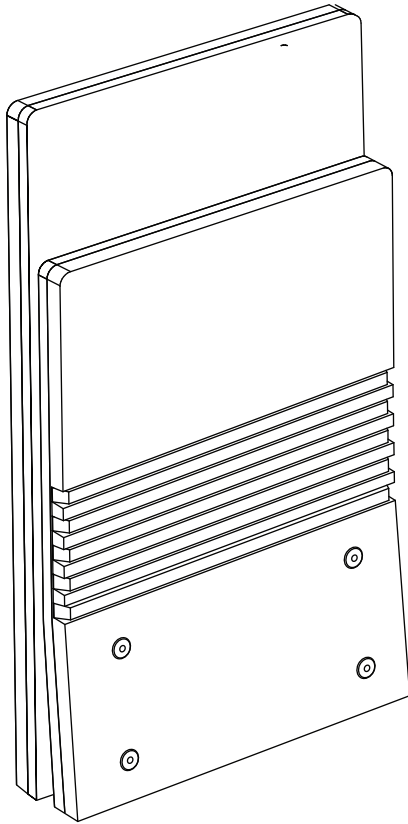


JumpSeat® is a trademark of Aria Enterprises, Inc. used under license by Sedia Systems, Inc.
 Patents: www.sediastystems.com/patents

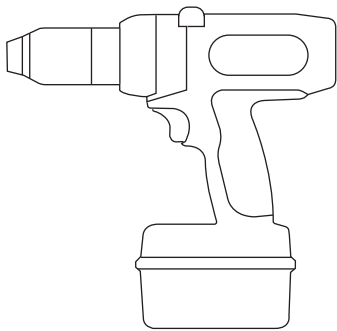
866.892.6130 www.sediastystems.com

JumpSeat® Movable Base Assembly Instructions

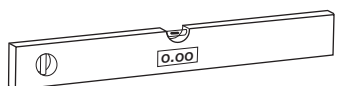




TOOLS REQUIRED



Drill



Level



Carpet Punch



CONCRETE



WOOD



1/4"



15/64"



7/16"



1/2"

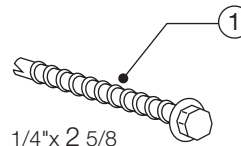
HARDWARE INCLUDED



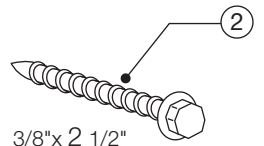
CONCRETE



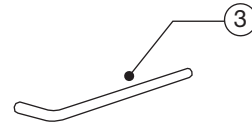
WOOD



1/4"x 2 5/8"

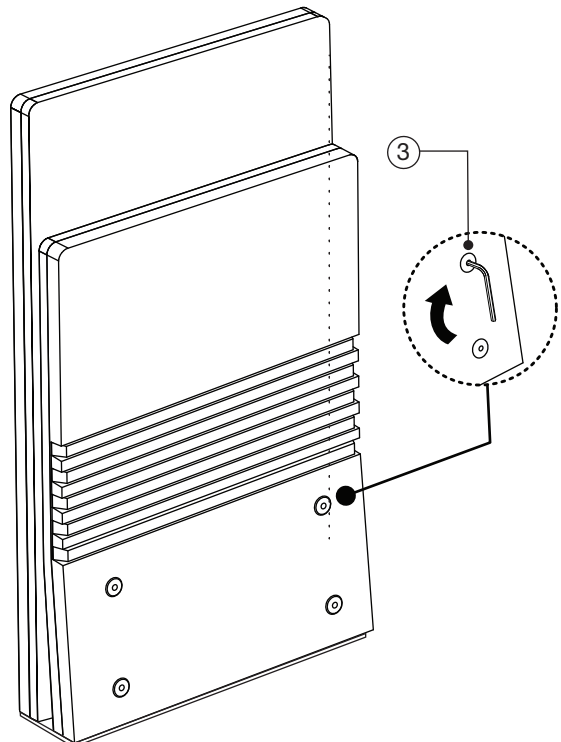
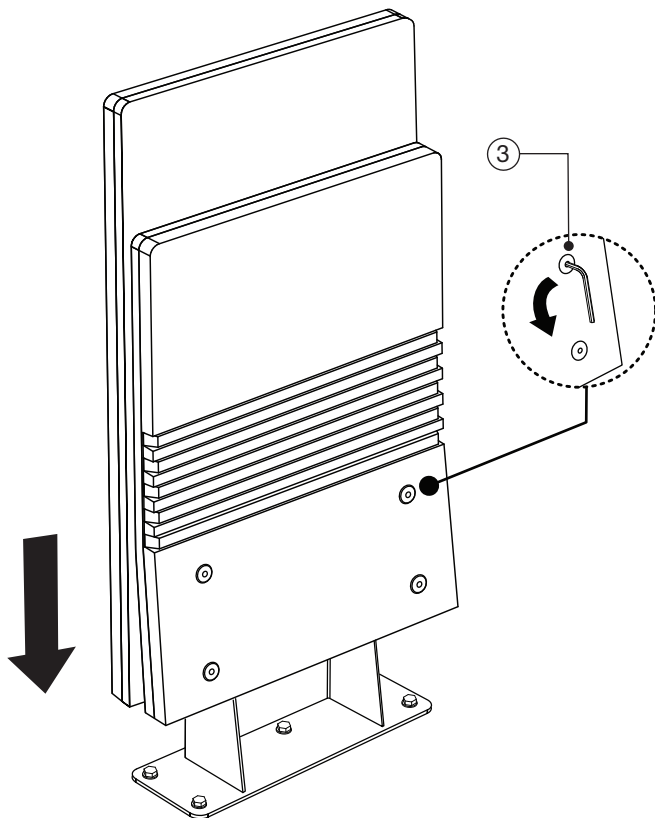
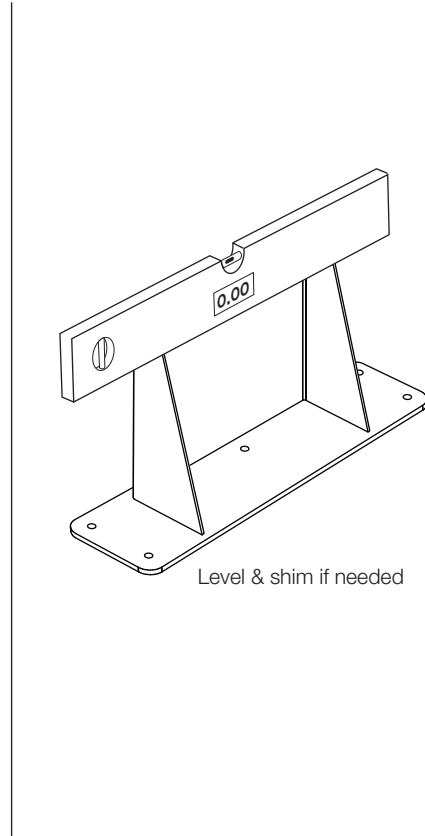
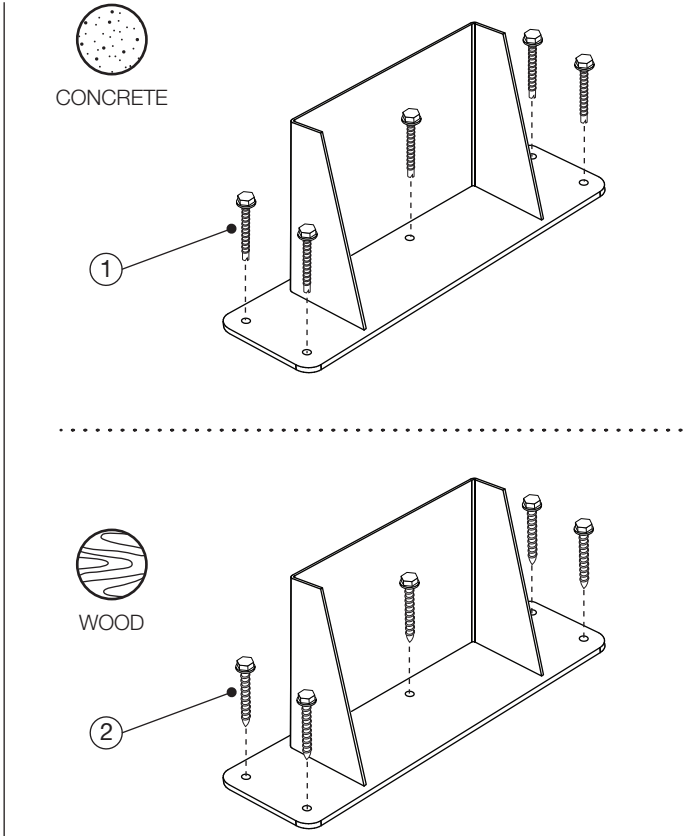
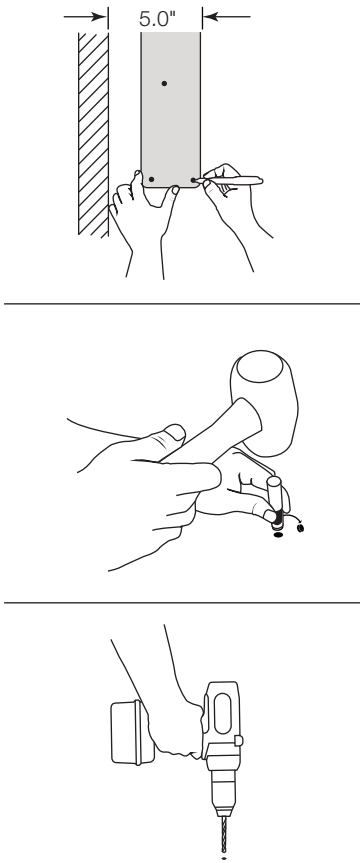


3/8"x 2 1/2"



5/32" / 4mm
Allen Wrench

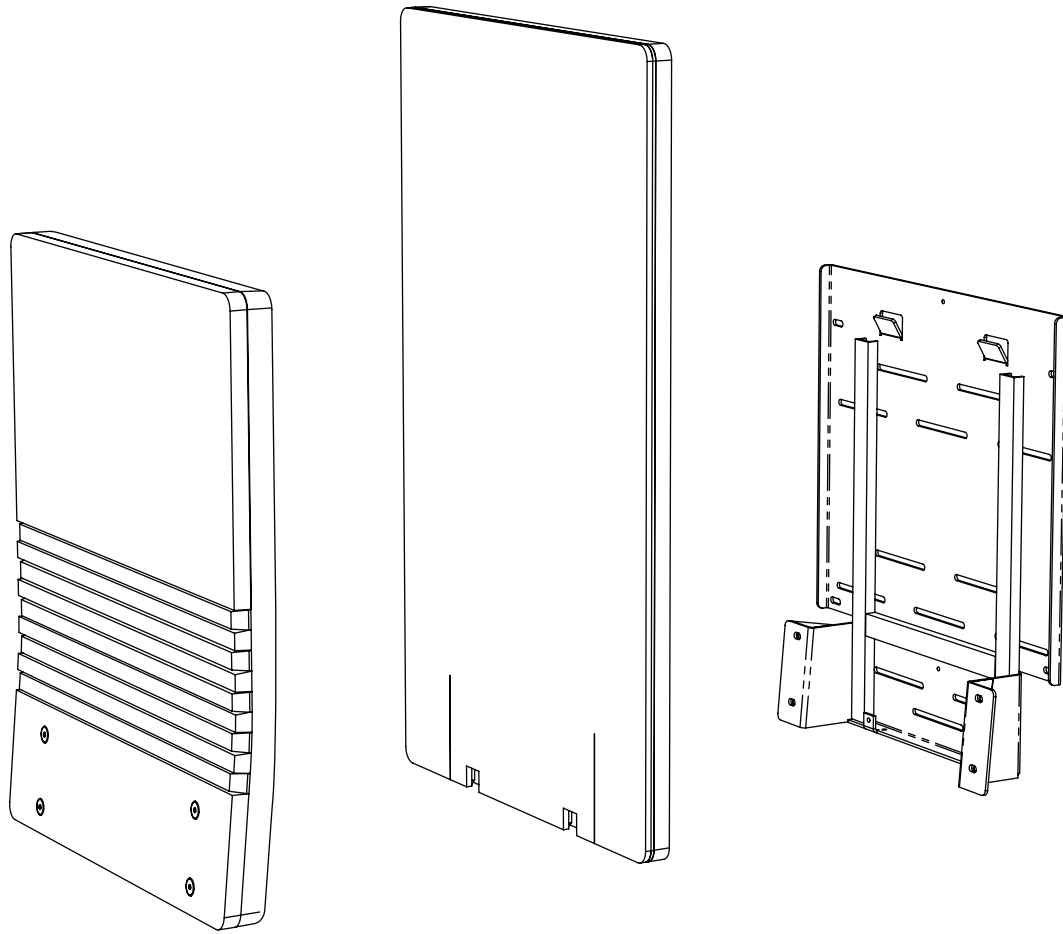
JumpSeat® 90 Assembly Instructions



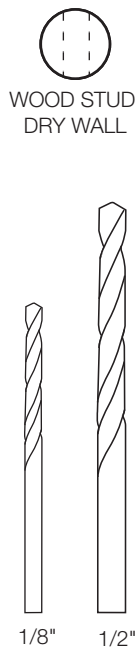
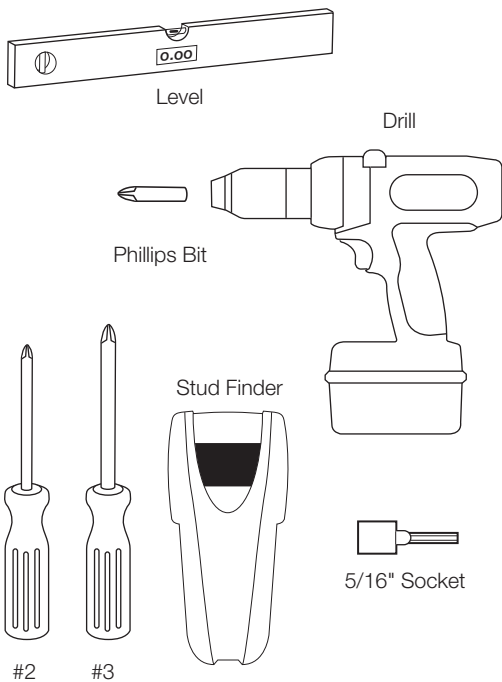
JumpSeat® is a trademark of Aria Enterprises, Inc. used under license by Sedia Systems, Inc.
 Patents: www.sediashystems.com/patents

866.892.6130 www.sediashystems.com

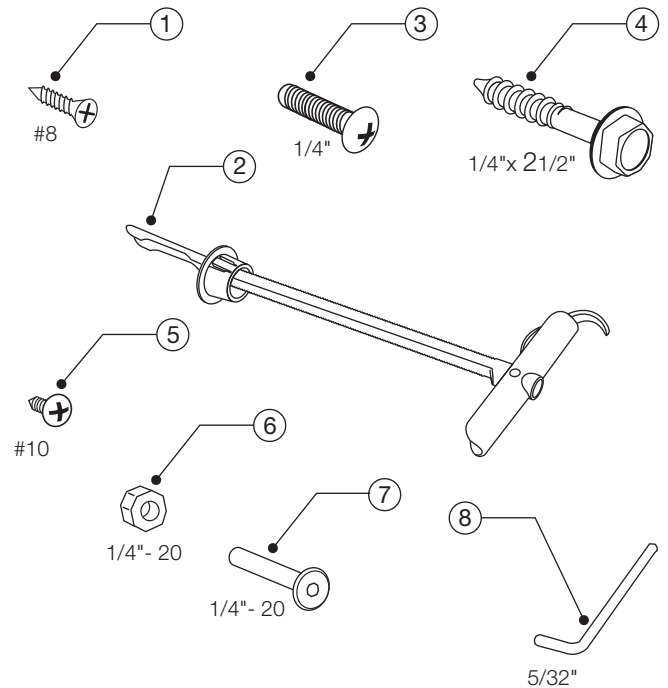
JumpSeat® Wall Residential Assembly Instructions



TOOLS REQUIRED



HARDWARE INCLUDED



JumpSeat® Wall Residential Assembly Instructions

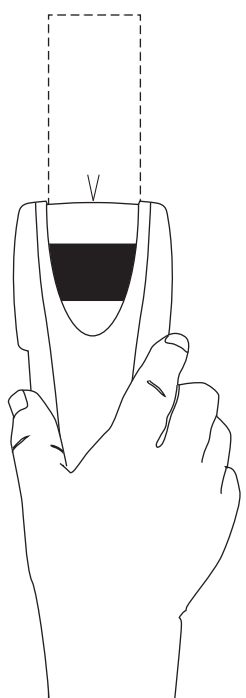
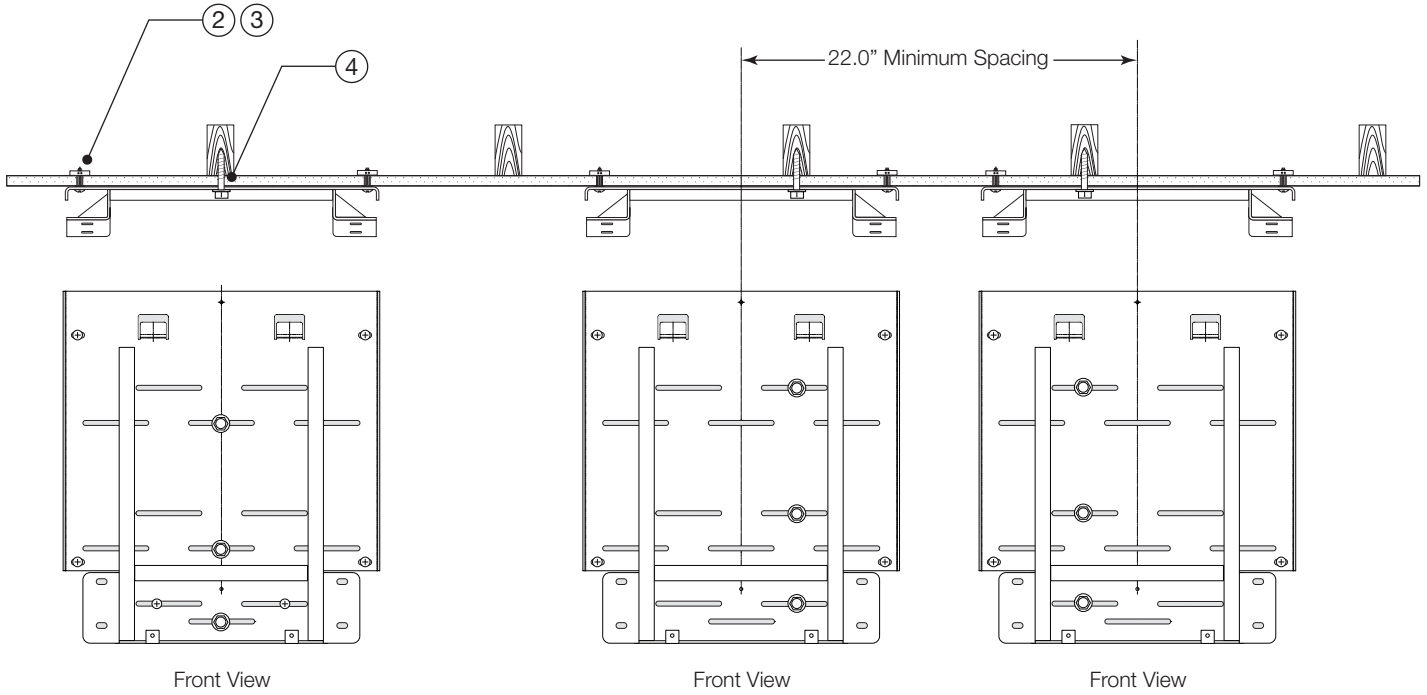


WOOD STUD DRY WALL

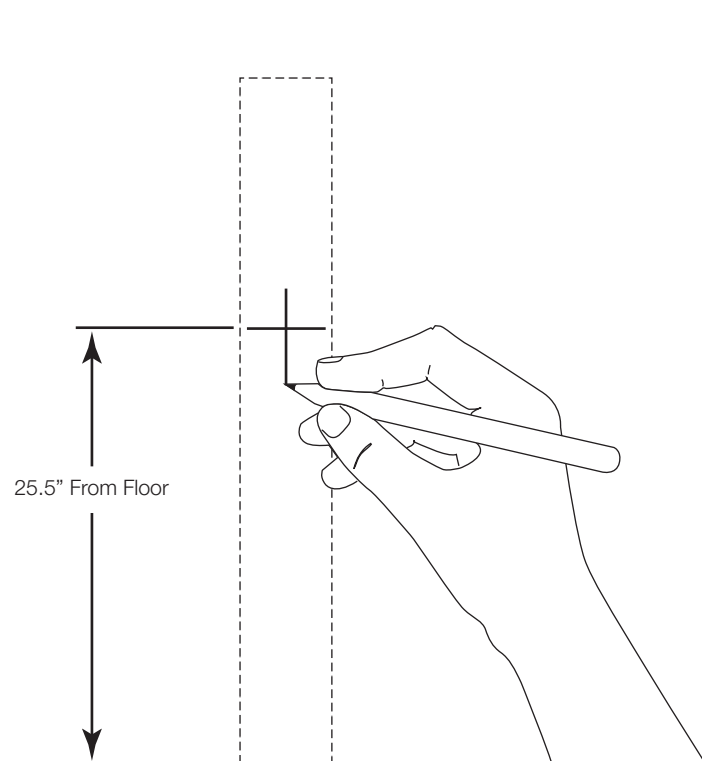
Top View Center Stud

Top View Right Side Stud

Top View Left Side Stud

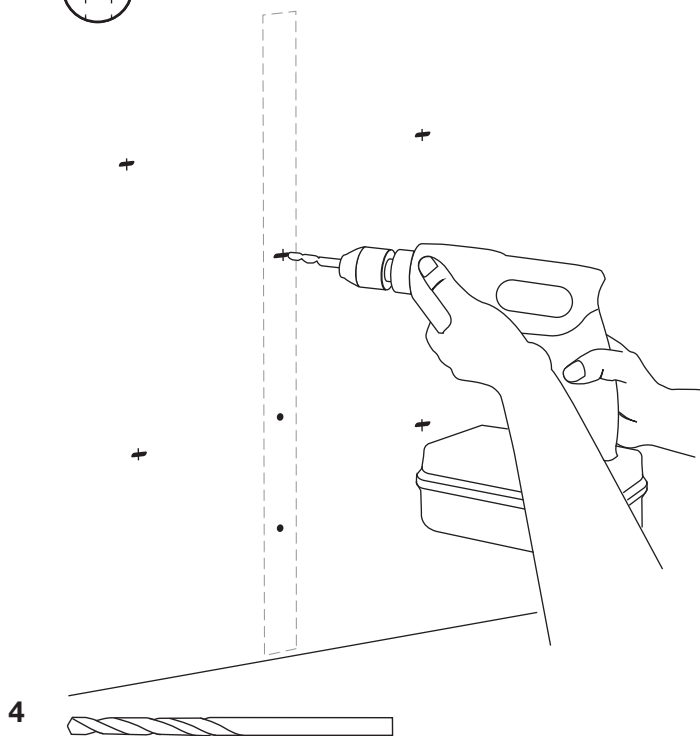
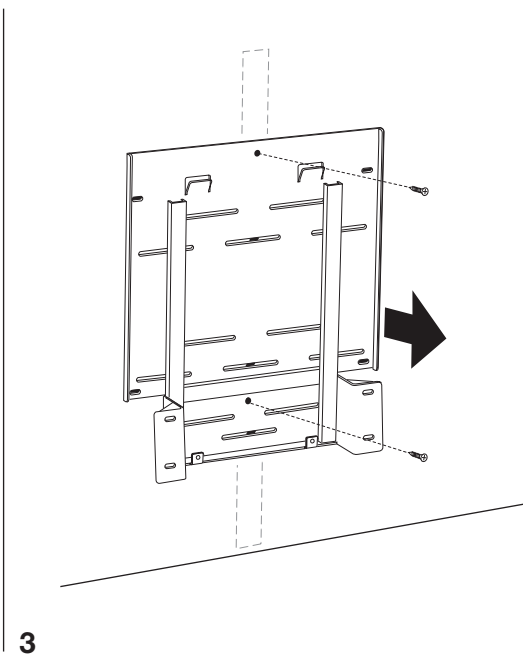
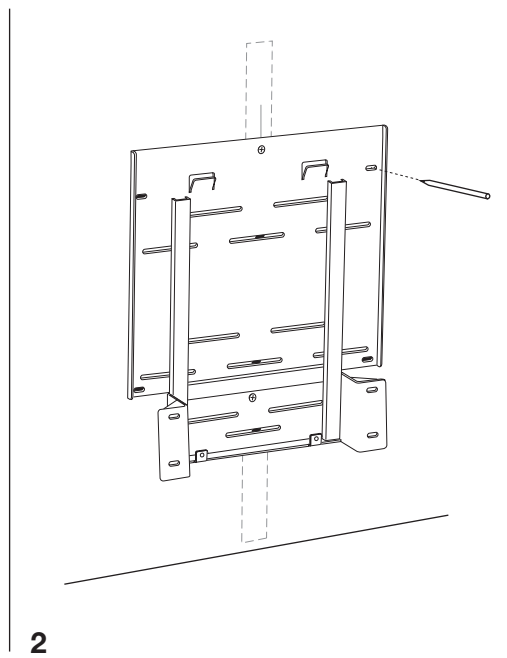
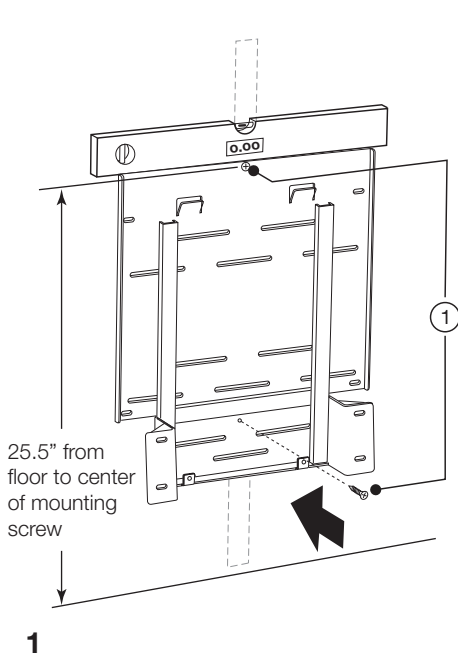
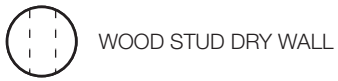


Locate Stud

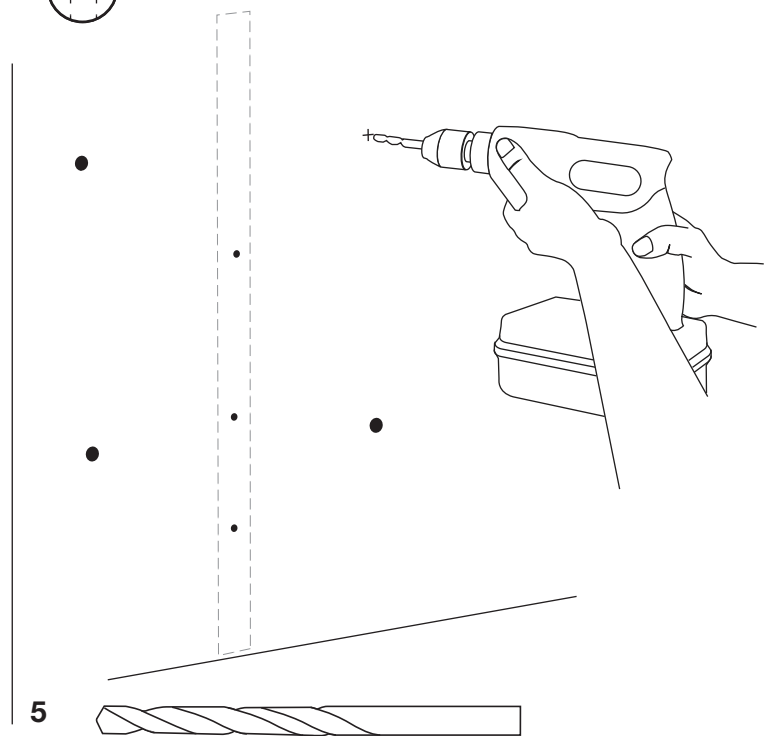
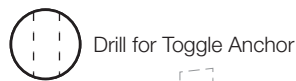


Mark Center Line

JumpSeat® Wall Residential Assembly Instructions



1/8"
Drill wood stud
Drill pilot holes for toggle anchors



1/2"
Drill holes for toggle anchors

JumpSeat® Wall Residential Assembly Instructions

