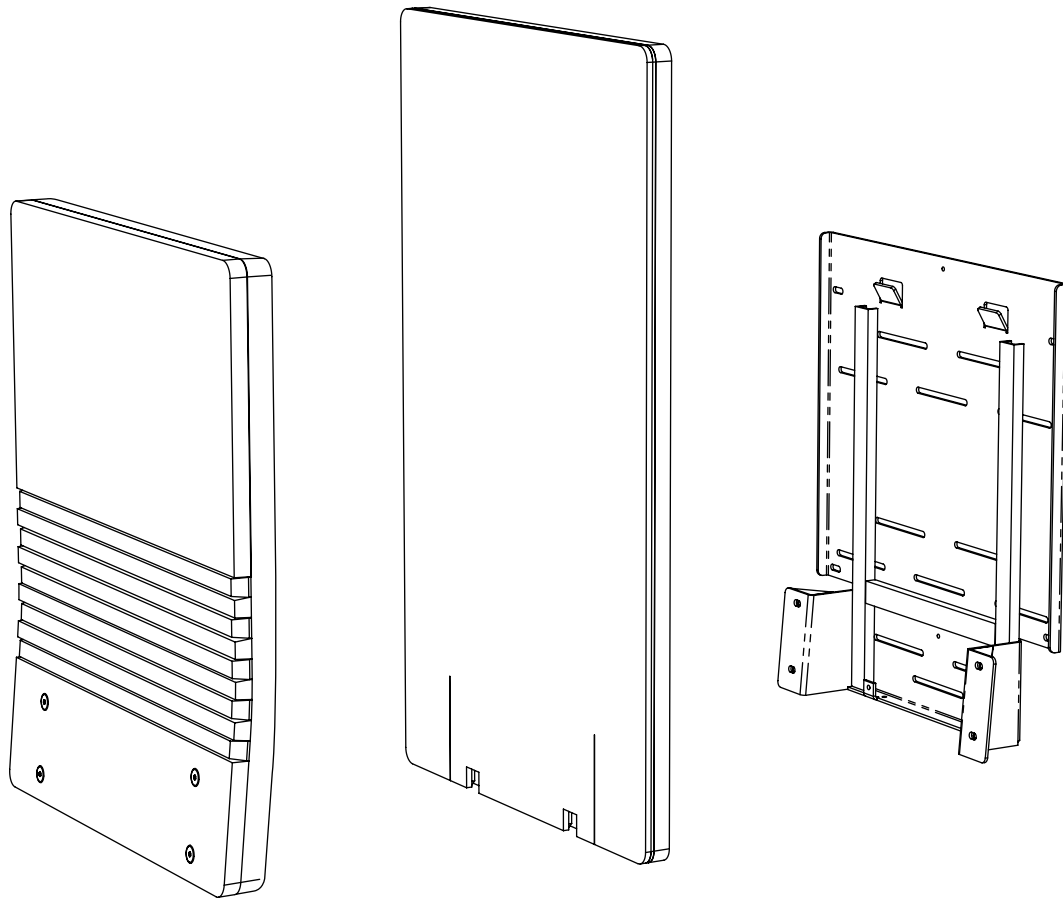
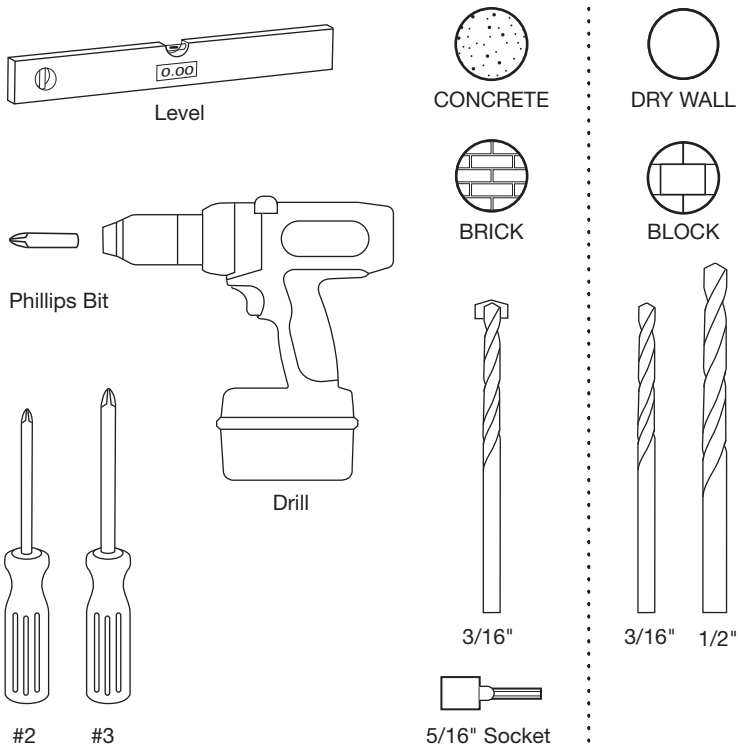


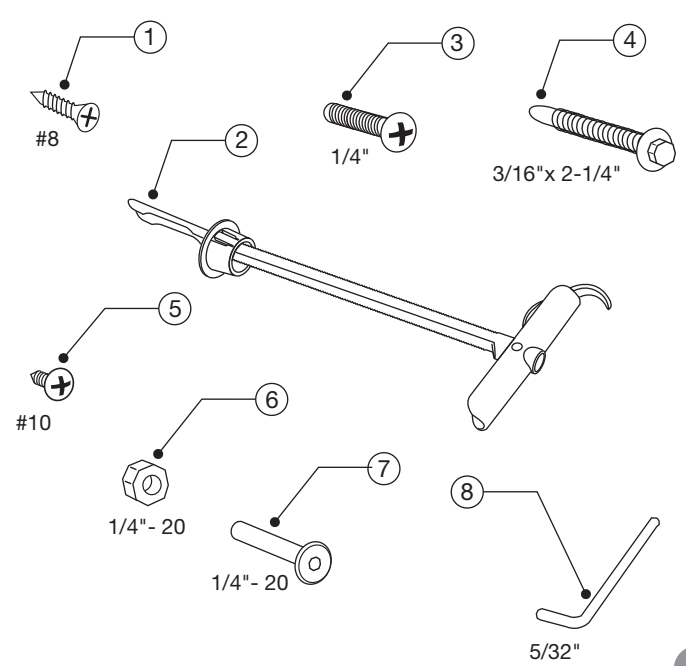
JumpSeat® Wall Commercial Assembly Instructions



TOOLS REQUIRED

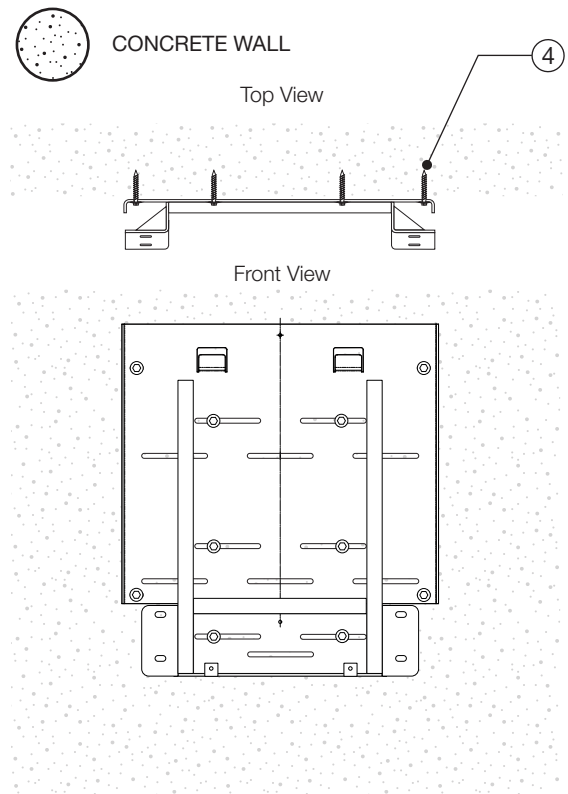
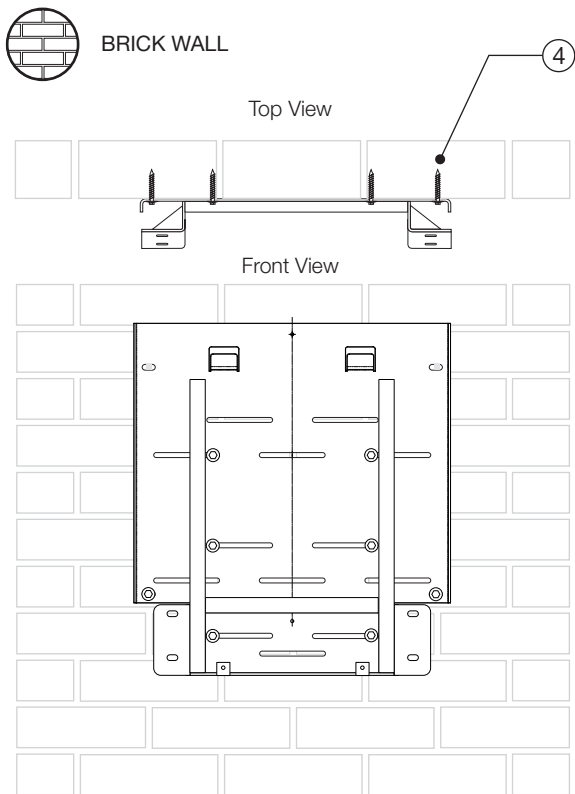
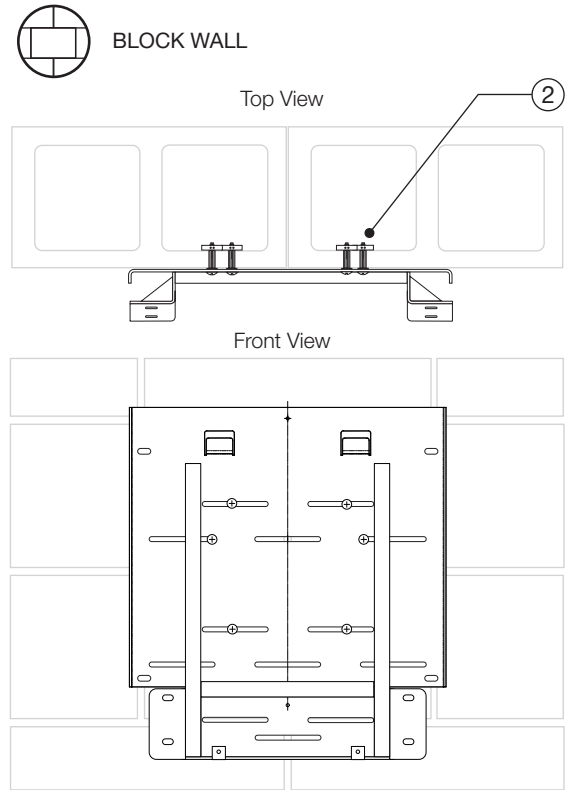
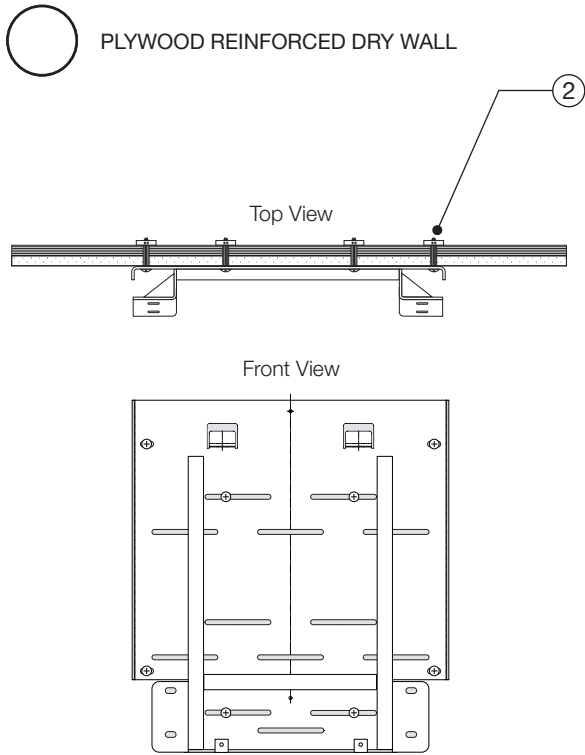


HARDWARE INCLUDED

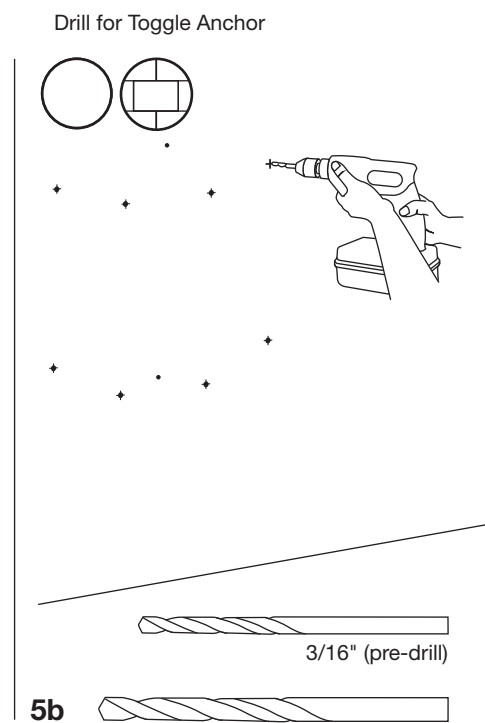
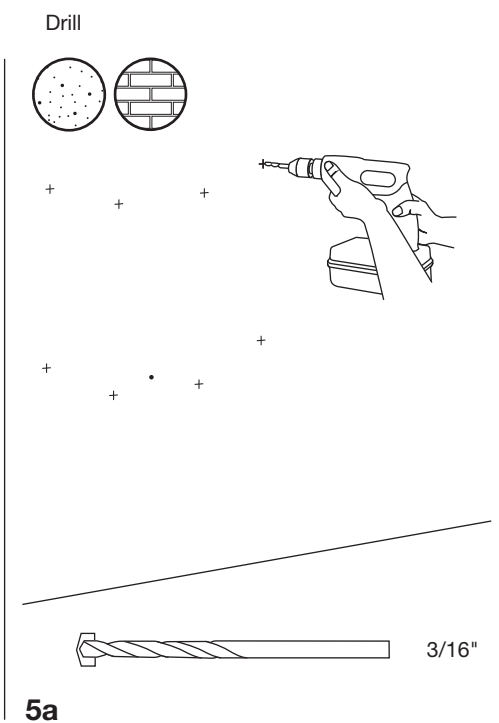
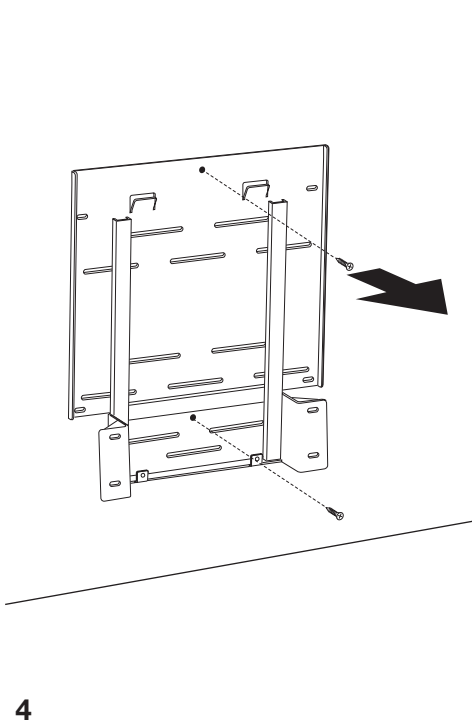
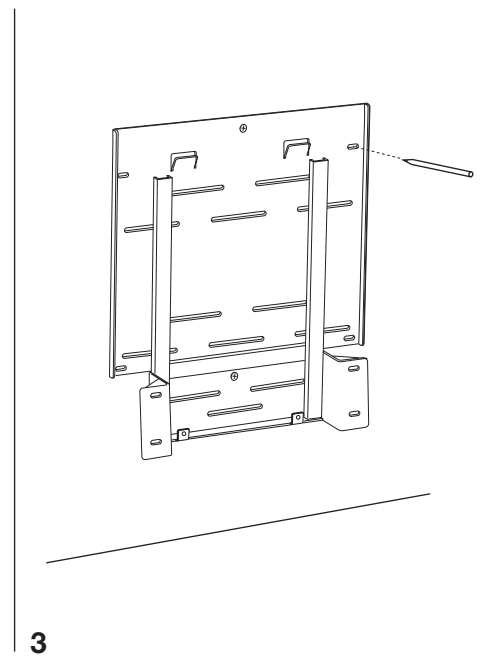
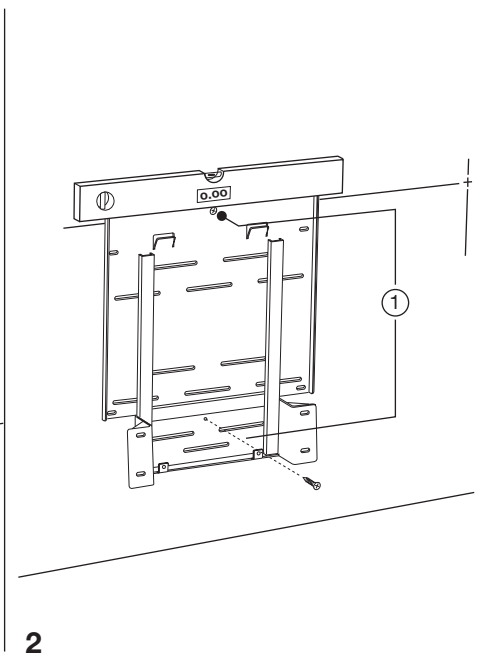
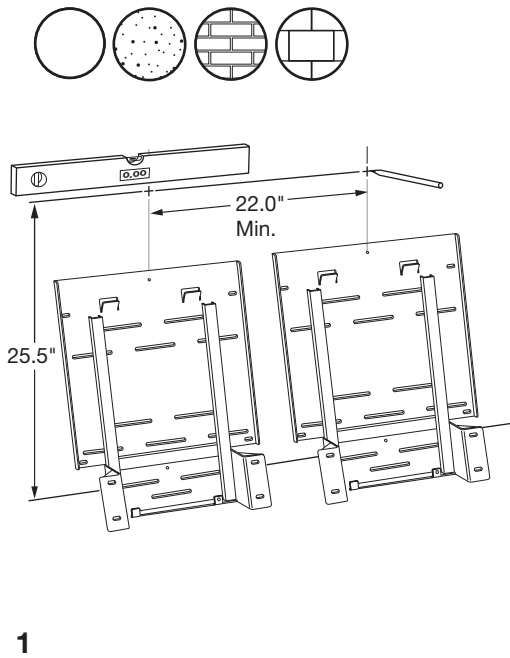


JumpSeat® Wall

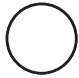
Commercial Assembly Instructions



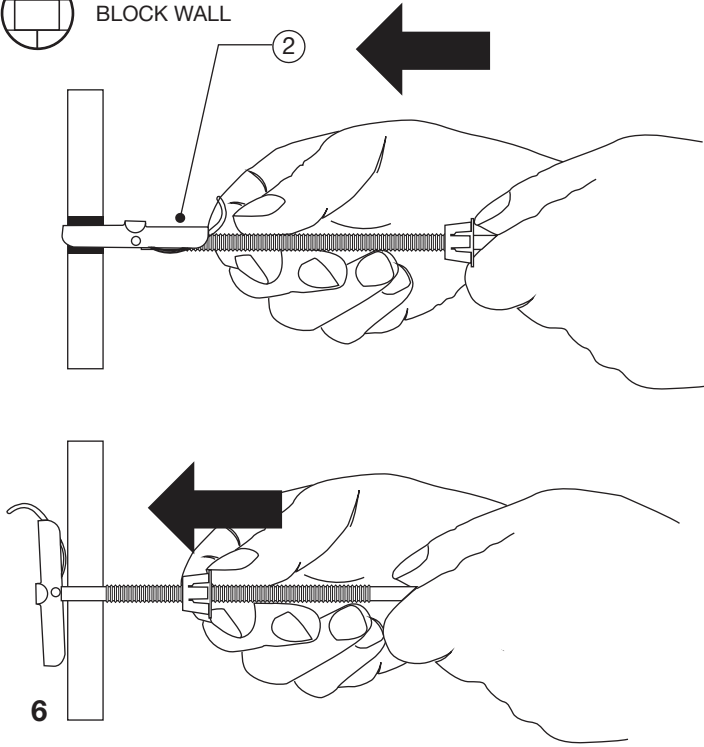
JumpSeat® Wall Commercial Assembly Instructions



JumpSeat® Wall Commercial Assembly Instructions

 PLYWOOD REINFORCED DRY WALL

 BLOCK WALL



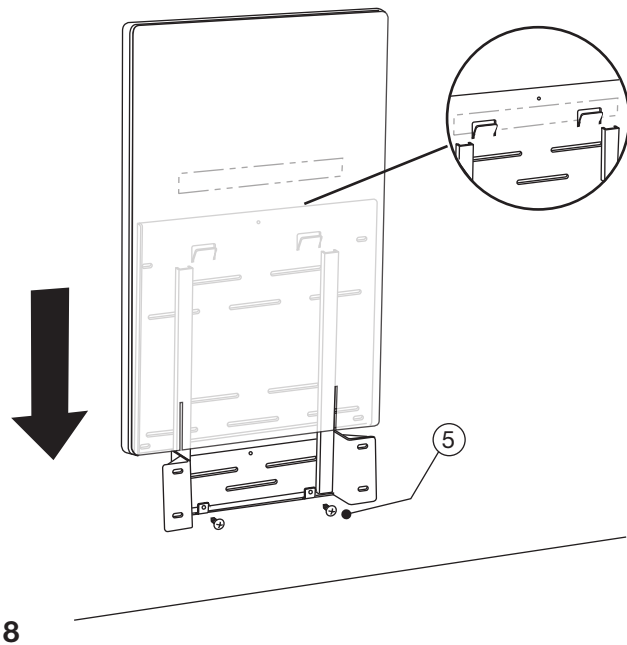
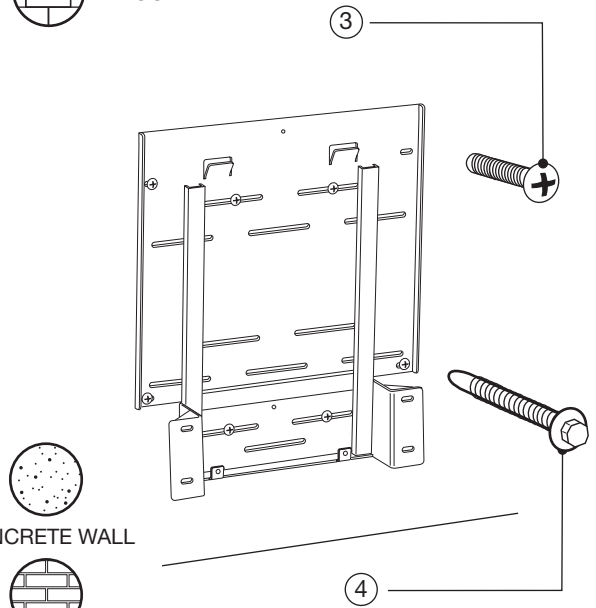
 PLYWOOD REINFORCED DRY WALL

 BLOCK WALL

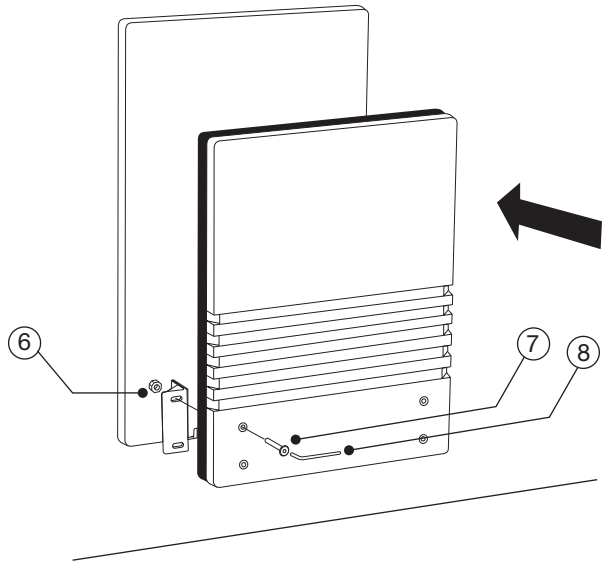
 CONCRETE WALL

 BRICK WALL

7



9



JumpSeat® is a trademark of Aria Enterprises, Inc.
used under license by Sedia Systems, Inc.
Patents: www.sediasystems.com/patents

866.892.6130 www.sediasystems.com

JumpSeat® Wall Residential Assembly Instructions

