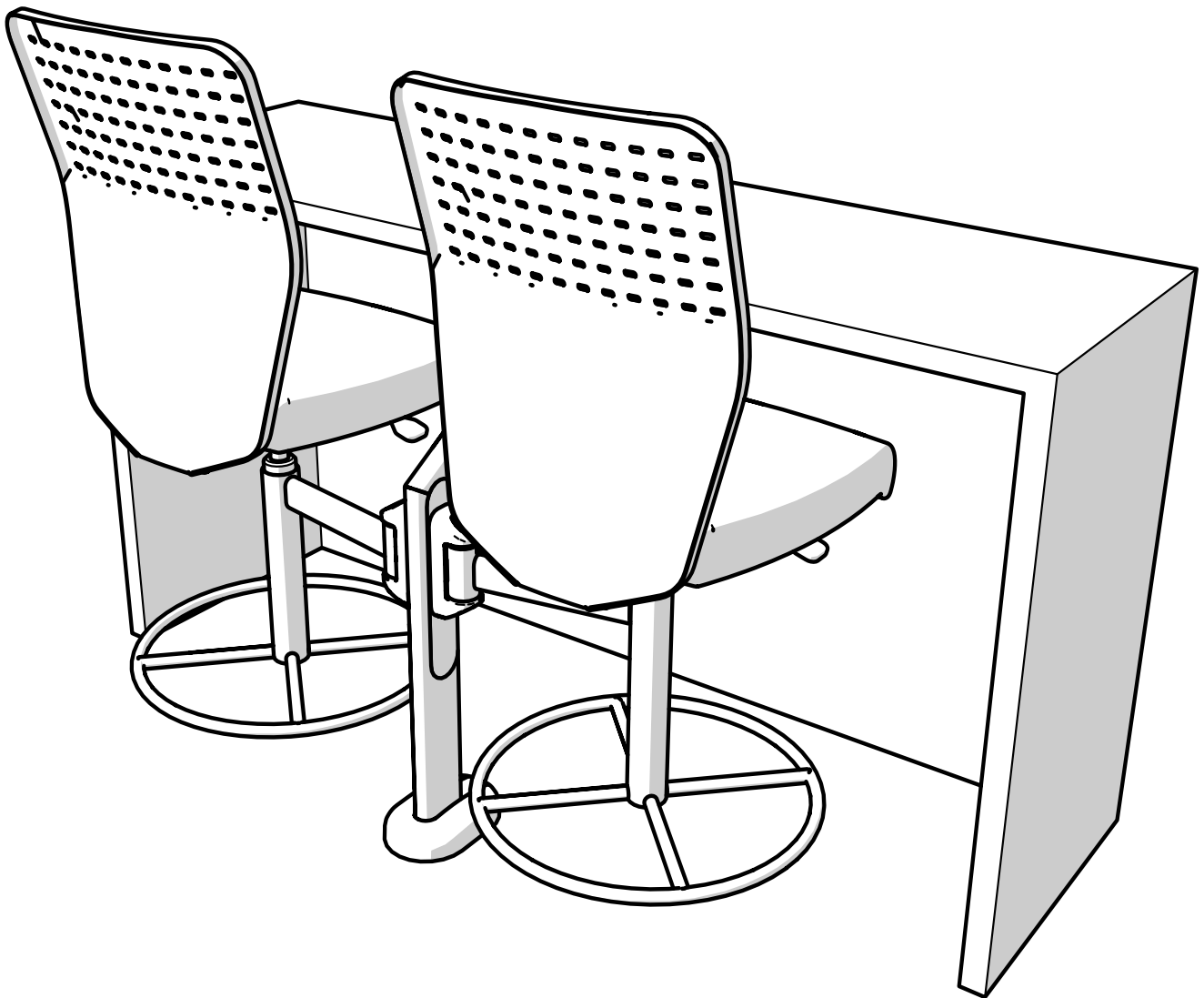




M60 Nurses Station

Assembly Instructions



sediasystems



Introduction

The M60 Nurses Station is intended to provide a fixed seating solution to existing self-supported table installations. It is **NOT** intended to support table structures as a standalone product. For supported table solutions, see the standard M60 Swing Away product.



Read these assembly instructions carefully prior to product installation. Failure to do so may result in instability or failure of the product and potential bodily injury. Consult a Sedia Systems representative for any questions or concerns about the installation process.

Floor and Table Requirements

The M60 Nurses Station is a fixed seating product and must therefore be properly fixed to both the floor beneath and the table above. See specific requirements listed below.

Floor Requirements

Wood Floors

- Minimum 2 layers of 3/4" thick plywood
- APA Rated plywood
- Minimum embedment 1-1/2" with lag screw
- Use toggle anchors if minimum embedment is not possible

Concrete Floors

- 3000 psi Concrete minimum
- 3" Thick free of obstructions for 1-1/2"
- Minimum anchor embedment 1-1/2"

Table Requirements

- Minimum 3/4" thick plywood, MDF or LDF substrate free of obstructions
- Self supporting table structure without need for additional reinforcement
- Do NOT connect directly to a solid surface material such as Corian
- In case of solid surface, adhere an attachment material at least 10" x 10" x 3/4" thick using an appropriate adhesive.

Floor Anchor Requirements

Anchors are to be provided by Sedia Systems unless otherwise specified. In the event of customer supplied anchors below are the recommended specifications.

Wood Floors

- 5/16" x 2" Flanged Hex Head Lag Screw
- 1/4" Toggle Anchors with a flat washer

Concrete Floors

- 1/4" x 2 5/8" Hilti Hus Concrete anchors
- 1/4" x 3" Hilti Wedge Anchor

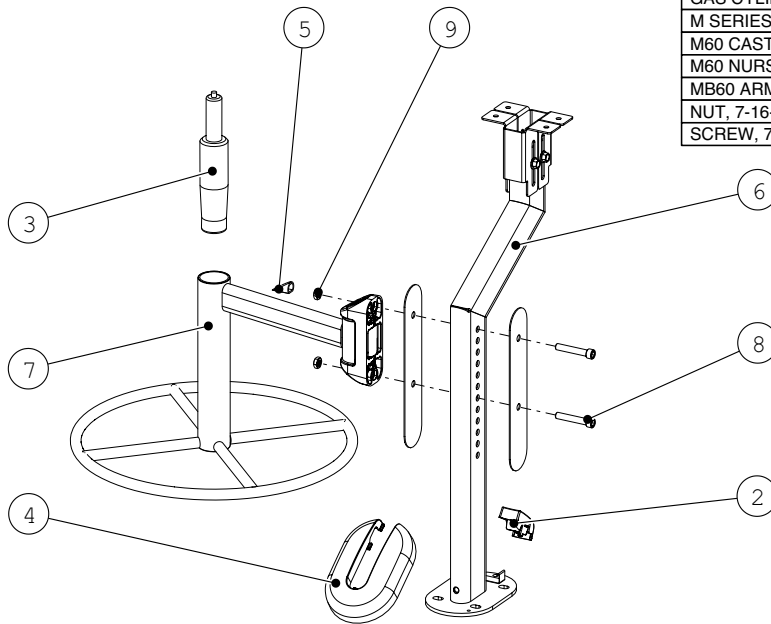
Preparation

1. Read assembly instructions completely.
2. Read all engineering layout documents.
3. Read the packing list and verify all materials are present.
4. Collect all necessary tools per the tools section of this document.
5. Clear installation area of debris, cut out floor carpeting as needed to attach anchor locations.
6. Contact a Sedia Systems representative with any questions or concerns prior to installation

Components List

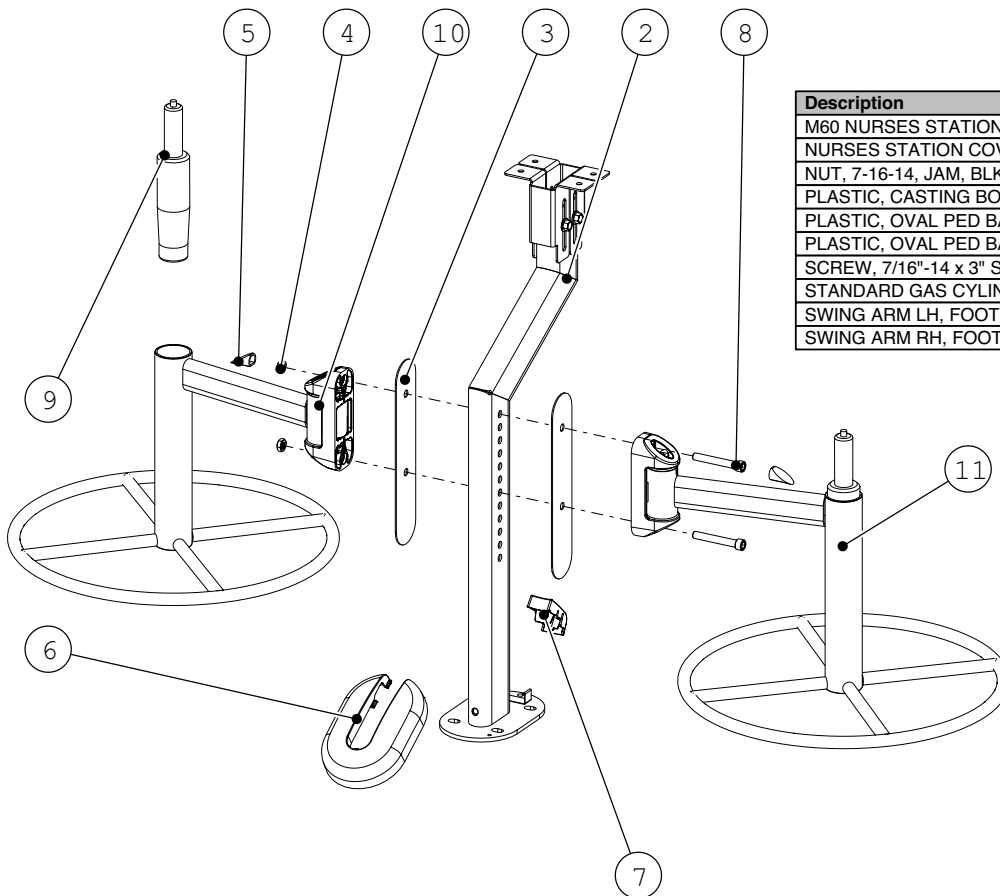
Single Swing Arm Configuration

Description	BOM ID	Qty
FOOT COVER RETAINER	2	1
GAS CYLINDER	3	1
M SERIES FOOT COVER	4	1
M60 CASTING BOLT CAPS (BEARING)	5	1
M60 NURSES STATION PEDESTAL	6	1
MB60 ARM 60" - BRNG	7	1
NUT, 7-16-14, JAM, BLK	9	2
SCREW, 7/16"-14 X 2 1/2", SHCS, BLK ZC8	8	2



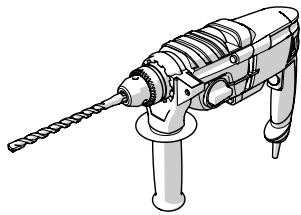
Dual Swing Arm Configuration

Description	BOM ID	Qty
M60 NURSES STATION PEDESTAL SUB-ASSEMBLY	2	1
NURSES STATION COVER PLATE	3	2
NUT, 7-16-14, JAM, BLK	4	2
PLASTIC, CASTING BOLT CAP	5	2
PLASTIC, OVAL PED BASE COVER	6	1
PLASTIC, OVAL PED BASE COVER RETAINER	7	1
SCREW, 7/16"-14 x 3" SHCS, BLK ZC	8	2
STANDARD GAS CYLINDER	9	2
SWING ARM LH, FOOT RING	10	1
SWING ARM RH, FOOT RING	11	1

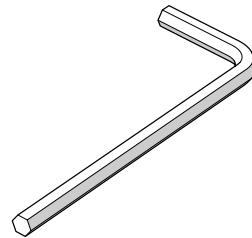


Tools Required

Review the list of tools required below to prepare for installation



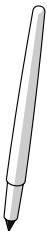
Hammer Drill
(For Concrete)



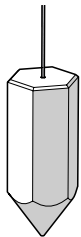
3/8" Alan Key



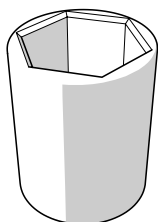
Shop Vacuum



Chalk or Sharpie for
Marking

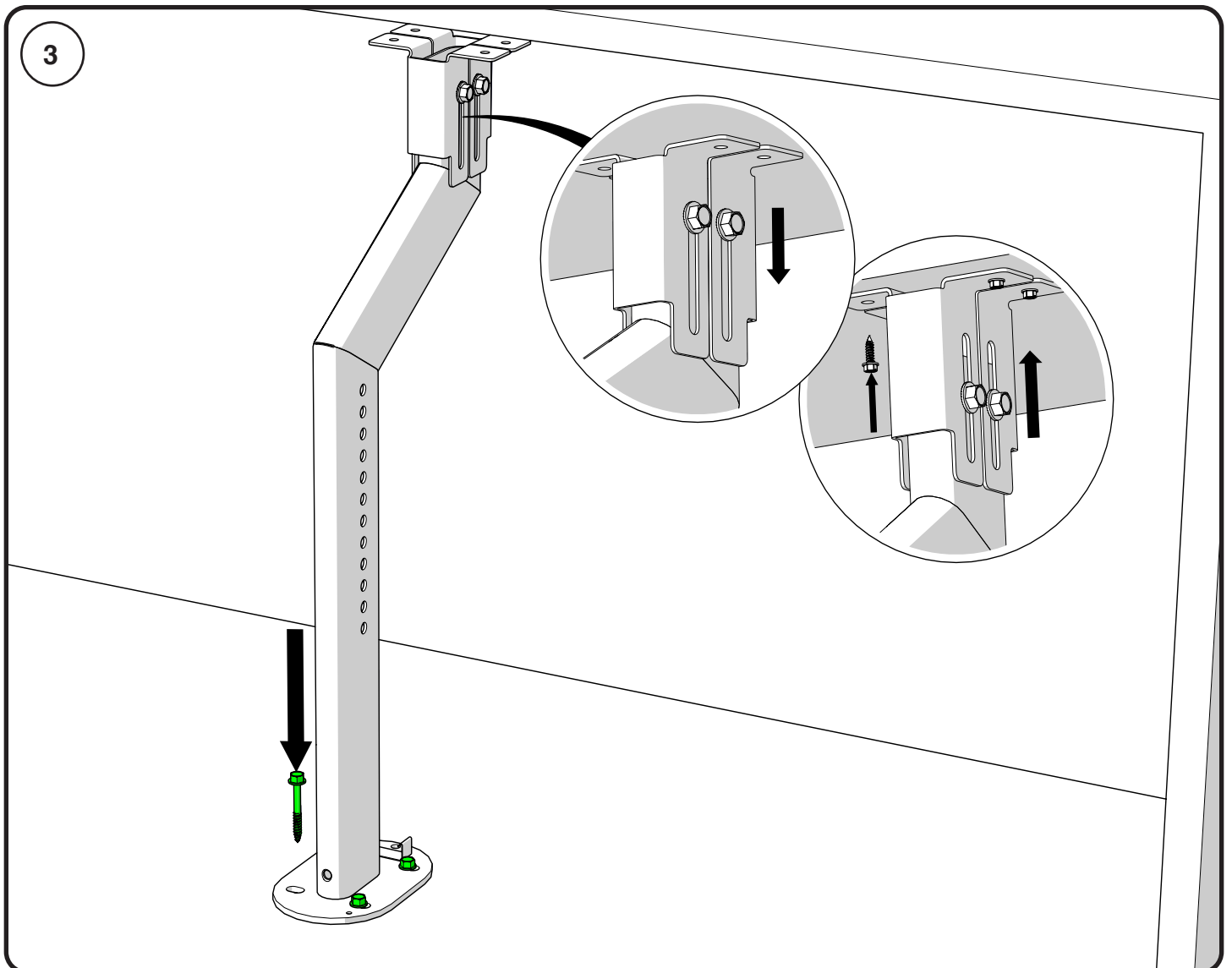
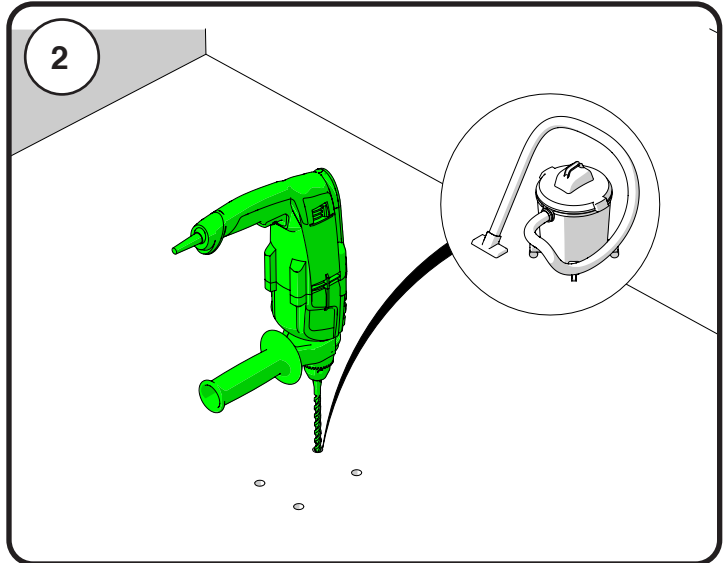
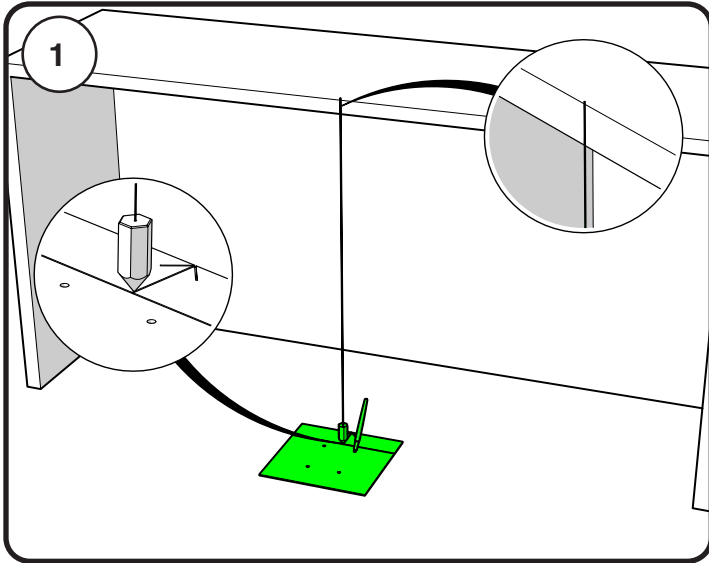


Plumb Line

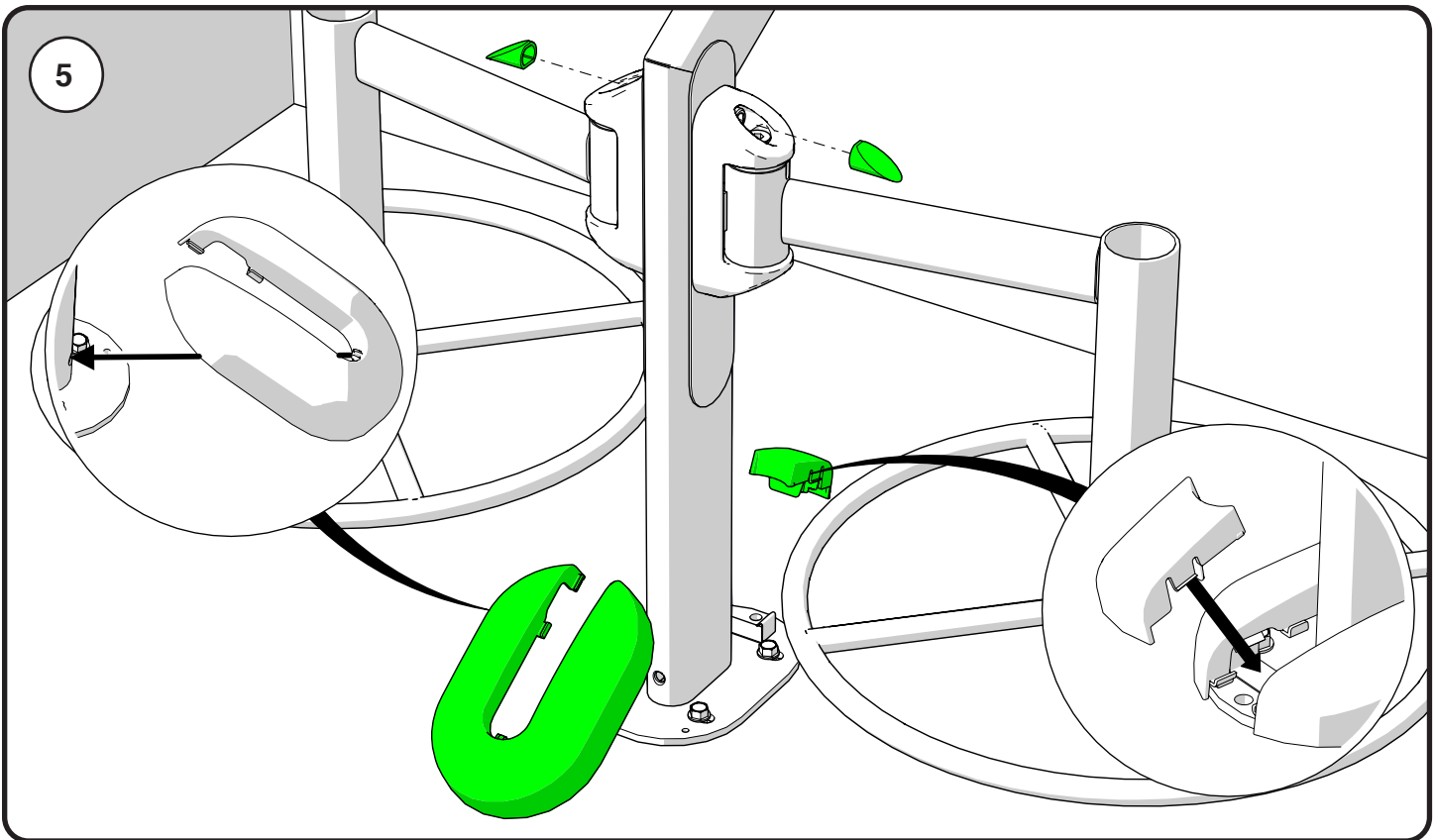
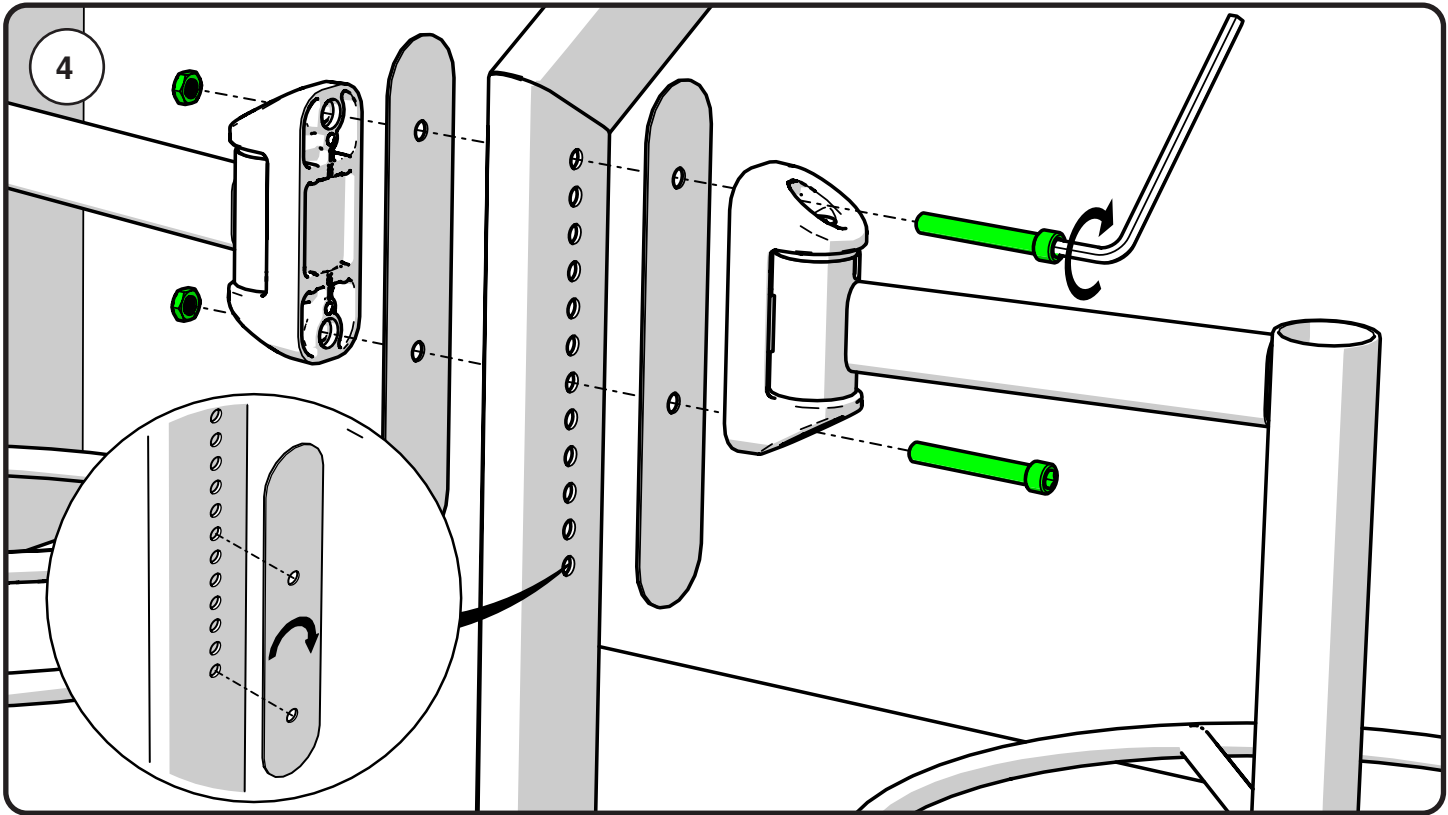


- 5/16" Socket
- 9/16" Socket
- Socket as needed
for Anchors

Assembly Steps



Assembly Steps (Continued)



Assembly Steps (Continued)

