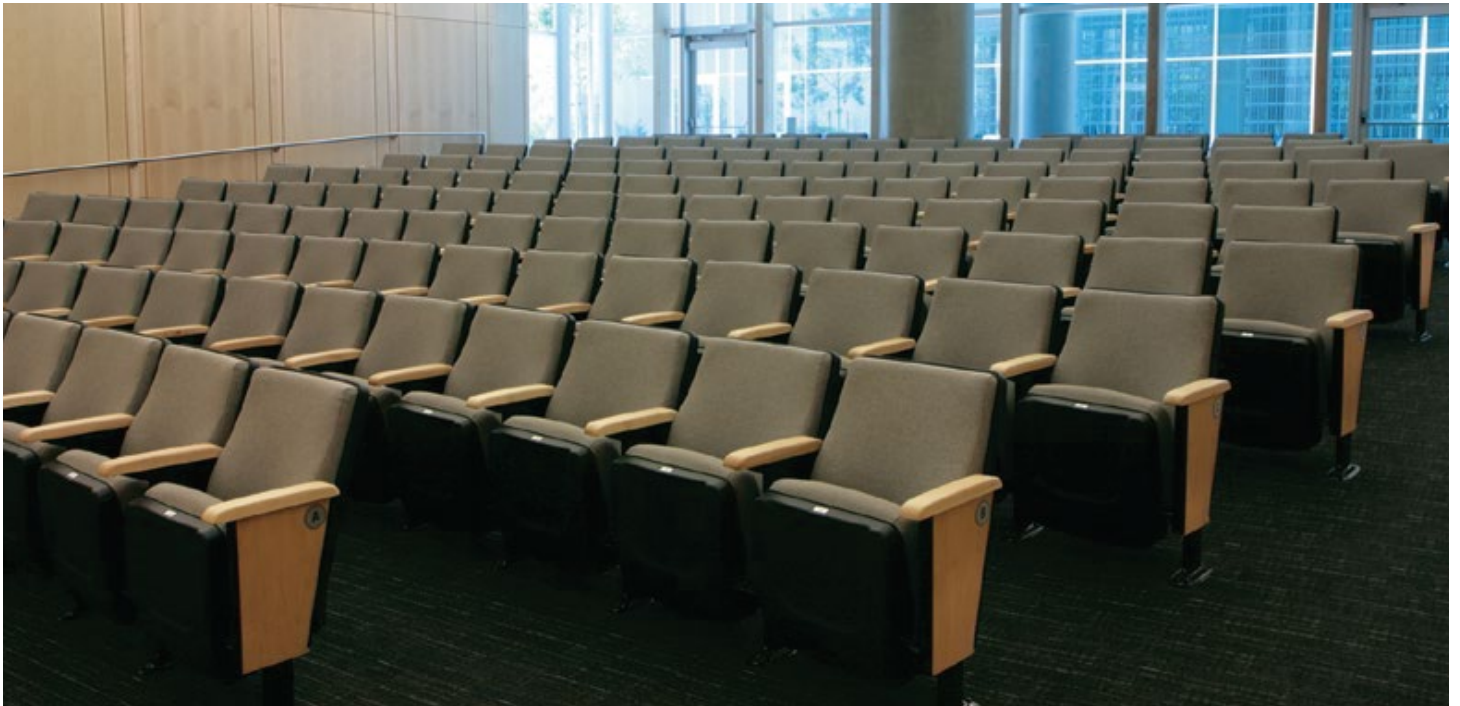


Assembly Instructions

# Mercury



# Mercury Auditorium Seating Assembly Instructions

## INTRODUCTION

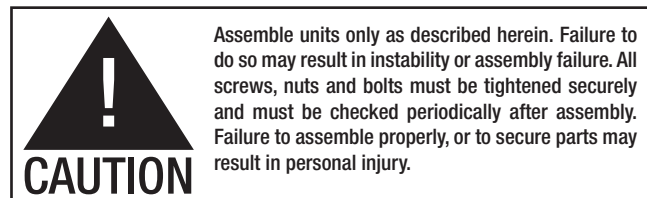
The Mercury auditorium seating system is intended to be used in a commercial setting. The system consists of the following components:

- Right Arm Standard
- Left Arm Standard
- Center Arm Standard
- ADA Arm Standard
- Gravity Uplift Seat
- Standard Seat Back
- High Seat Back
- Optional Tablet
- Power System

**Note:** Read these assembly instructions carefully prior to product installation. Electrically interconnected furnishings must also be mechanically interconnected. Product failure and personal injury may result if instructions are not followed.

## TOOLS REQUIRED

- Hammer drill and 1/4" masonry bit for concrete anchor holes
- Drill and bit for pilot holes in wood floor
- #3 Phillips head screw driver
- #2 Phillips head screw driver
- Wrench Set
- Socket Set
- Allen Wrench
- 4' Level
- 6-8' Flexible straight edge 1/4 round or equivalent
- 25 and 100' Tape Measure
- Tailor's Chalk
- Mercury Drill Template



## IMPORTANT SAFETY INSTRUCTIONS

When using an electrical furnishing, basic precautions should always be followed, including the following:

Read all instructions before installing the Mercury Chair

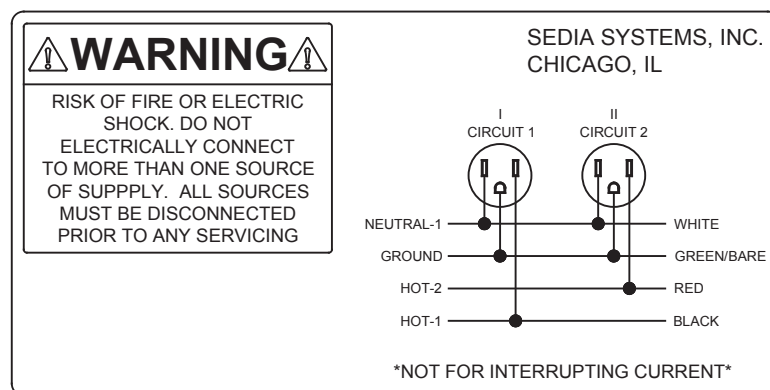
## WARNING:

1. Risk of Electrical Shock - Connect this furnishing to a properly grounded outlet only. See Grounding Instructions.
2. Do not use outdoors.
3. Use this furnishing only for its intended use described in these instructions. Do not use attachments not recommended by the manufacturer.
4. The maximum intended load for this seat is 300 pounds (102 Kilograms).
5. Functional Tablet Load - 20 Pounds (9 kg)

## GROUNDING INSTRUCTIONS

This product must be connected to a grounded metal, permanent wiring system, or an equipment-grounding conductor must be run with the circuit conductors and connected to the equipment-grounding terminal or lead on the product.

**Note:** The power infeeds are to be connected to the power source by a qualified electrician who must also check the electrical integrity of the finished system installation.



SAVE THESE INSTRUCTIONS

# Mercury Auditorium Seating Assembly Instructions

## MINIMUM CONSTRUCTION REQUIREMENTS

### Wood Floors

- Minimum two layers of 3/4" thick plywood
- APA rated grade plywood
- Allow minimum embedment 1-1/2" with lag screws
- Use toggle bolt if less than 1-1/2" embedment

### Concrete Floors

- 3000 psi concrete compressive strength
- 3" thick free of obstruction for 1-1/2"
- Minimum anchor embedment 1-1/2"

**Note:** Warranty null and void if Sedia Systems MERCURY Seating product line is installed on flooring that does not meet the minimum structural requirements stated above.

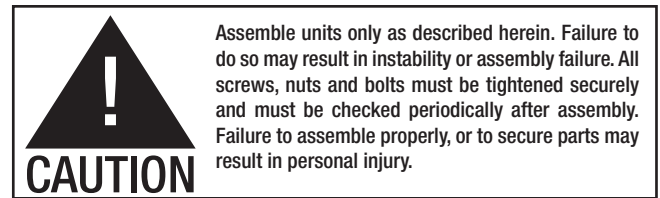
## FLOOR FASTENER REQUIREMENTS

### Wood Floors

- 3/8" x 2-1/2" lag bolts
- 3/8" flat washers
- (2) Bolt assemblies required per arm standard

### Concrete Floors

- 1/4" x 2-5/8" concrete anchors
- 3/8" flat washers
- (2) Bolt assemblies required per arm standard



## Site Preparation

1. Read and review the Assembly Instructions.
2. Review project drawings and layouts.
3. Locate floor center.
4. Locate row size line.
5. Draw size line for straight or radius rows.
6. Mark hole centerline for first chair.
7. Mark incremental hole centerline locations.
8. Use drill template to mark hole locations.
9. Use carpet punch at each hole location.
10. Locate and drill anchor holes into floor.
11. Vacuum holes to remove debris.

## Chair Installation

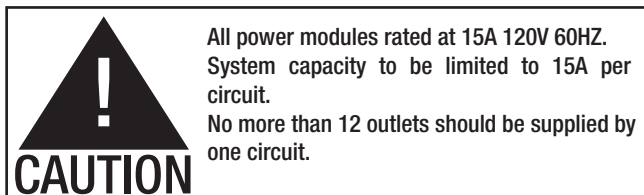
12. Mount arms to the floor with anchor bolts.
13. Attach seat back to arms with attached brackets.
14. Attach seat pivot to arm brackets.

## Steps for Installing Power Option

Before assembling seat:

1. Attach raceway bracket to arm tube.
2. Assemble the raceway to the raceway bracket.
3. Place the power whip into the raceway.
4. Connect the duplex outlet to the whip or jumper.
5. Attach the raceway end cap and splicer.
6. Complete power component installation per row and connect duplex end plug to last duplex power module.
7. Attach the raceway spacers at locations specified on the layout drawings.
8. Attach the raceway cover so the outlet module fills the outlet opening in the cover.
9. Attach seat pivot to arm brackets.
10. Connect electrical whip to the main power source.
11. Mount row and seat numbering (optional).
12. Clean product and site for walk through.

**Note:** Dimensional spacing referenced is centerline to center line unless otherwise noted.



# Mercury Auditorium Seating Assembly Instructions

## ROUTINE CARE AND MAINTENANCE

1. All parts are lubricated for life.
2. Any service should be conducted by an authorized service representative.
3. Perform periodic inspections for loose or broken parts.

**LAMINATE:** To clean the surface, use a damp cloth or sponge and a mild soap or detergent. Difficult stains such as coffee or tea can be removed using a mild household cleaner and baking soda; mixing to achieve a paste consistency. Use a stiff nylon bristle brush, scrubbing (approx. 15-20 strokes) the affected area. Do not scrub so as to mar (damage, scratch) the surface finish. Stubborn stains that resist any of the above cleaning methods may require the use of undiluted household bleach or nail polish remover. Use a cotton ball saturated with bleach or nail polish remover (acetone); gently rub the stain for up to two minutes. Rinse thoroughly with warm water and wipe dry using a soft cloth. This step may be repeated if the stain appears to be going away and the color of the laminate has not been affected.

## CAUTION:

Prolonged exposure of the laminate and powder coat surfaces to bleach will cause discoloration. Always rinse laminate and powder coat surfaces after cleaning! Failure to rinse after cleaning can cause damage; even if a small amount of cleaning solution remains on the surface. A dry residue may be invisible; however, moisture from cups or drinks can reactivate it, and result in permanently etched scars or stains over time.

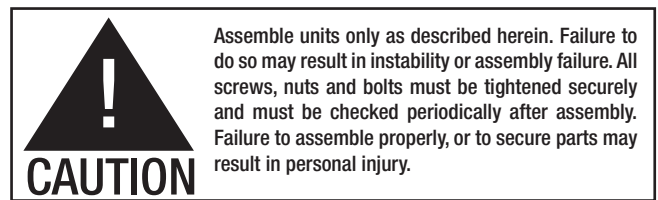
### Recommended Household Cleaners:

- Clorox®\* • Formula 409® • Dawn® • Fantastik®
- Dow Bathroom Cleaner with Scrubbing Bubbles™
- Favor® • Windex® • Lestoil® • Glass Plus®
- Pledge® • Grease Relief® • Mr. Clean® • TOP JOB®
- Lysol® Brand Disinfectant Basin/Tub/Tile Cleaner

\* Prolonged exposure can mar the surface

## CAUTION:

**Acidic** or **abrasive** cleaners can damage laminate and powder coat surfaces; do not use them. Drain cleaners containing lye will permanently damage the laminate surface. If you spill a drain cleaner, wipe it up immediately and rinse several times with water. Hair, textile and food **dyes** can cause permanent stains. If dye should happen to spill, wipe it up immediately with dishwashing detergent or an all-purpose cleaner. Wipe spills away promptly and rinse several times with water.



Rust removers contain harsh chemicals, which will quickly cause permanent damage. If a spill occurs, wipe off all residues immediately, wash thoroughly with soapy water and rinse several times. Steel wool and other abrasive pads will damage the laminate and powder coat face. Do not use them for cleaning and don't store steel wool pads on your countertop; the metal can rust and leave stains. Toilet bowl cleaners contain harsh chemicals that can cause permanent damage. If spills occur, wipe up immediately, wash surface with soapy water and rinse several times.

The cleaners listed below can cause damage to the surface of laminate:

| Chemical Ingredient | Synonymous Names                        |
|---------------------|---|
| Hydrochloric Acid   | Muriatic Acid<br>Hydrogen Chloride      |
| Sulfuric Acid       | Oleic Acid<br>Oil of Vitriol<br>Oleum   |
| Hydrofluoric Acid   | Rust Remover                            |
| Phosphoric Acid     | Rust Remover                            |
| Sodium Hydroxide    | Caustic Soda<br>Caustic Soda Lye<br>Lye |
| Pumice (abrasive)   |   |

Remember, sharp objects can damage the surface of laminate and powder coat surfaces, marring its beauty and lowering wear and stain resistance. Although the laminate and powder coat surfaces are somewhat resistant to scratch and marring, they can be damaged, even under normal use.

Laminate and powder coat surfaces may need occasional dusting depending on where it's used. To keep the surface beautiful, use a non-oily furniture spray. (Remember to clean the spray off several times a year to prevent build-up.) Furniture polish can also help hide fine scratches in the surface.

**UPHOLSTERED FABRIC:** Clean with water-based cleaning agents, foam or pure water-free solvents. Vacuuming or light brushing is recommended to prevent dust and soil buildup. For answers to additional questions regarding care or cleaning please contact Sedia Systems.

# Mercury Auditorium Seating Assembly Instructions

## MINIMUM CONSTRUCTION REQUIREMENTS

### Wood Floors

- Minimum two layers of 3/4" thick plywood
- APA rated grade plywood
- Allow minimum embedment 1-1/2" with lag screws
- Use toggle bolt if less than 1-1/2" embedment

### Concrete Floors

- 3000 psi concrete compressive strength
- 3" thick free of obstruction for 1-1/2"
- Minimum anchor embedment 1-1/2"

**Note:** Warranty null and void if Sedia Systems MERCURY Seating product line is installed on flooring that does not meet the minimum structural requirements stated above.

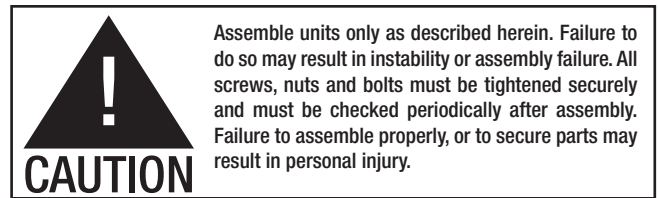
## FLOOR FASTENER REQUIREMENTS

### Wood Floors

- 3/8" x 2-1/2" lag bolts
- 3/8" flat washers
- (2) Bolt assemblies required per arm standard

### Concrete Floors

- 1/4" x 2-5/8" concrete anchors
- 3/8" flat washers
- (2) Bolt assemblies required per arm standard



## Site Preparation

1. Read and review the Assembly Instructions.
2. Review project drawings and layouts.
3. Locate floor center.
4. Locate row size line.
5. Draw size line for straight or radius rows.
6. Mark hole centerline for first chair.
7. Mark incremental hole centerline locations.
8. Use drill template to mark hole locations.
9. Use carpet punch at each hole location.
10. Locate and drill anchor holes into floor.
11. Vacuum holes to remove debris.

## Chair Installation

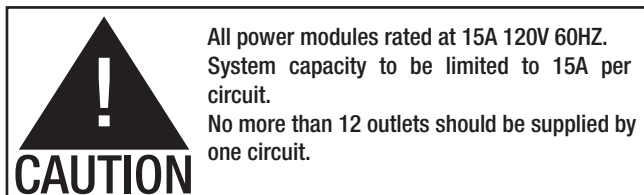
12. Mount arms to the floor with anchor bolts.
13. Attach seat back to arms with attached brackets.
14. Attach seat pivot to arm brackets.

## Steps for Installing Power Option

Before assembling seat:

1. Attach raceway bracket to arm tube.
2. Assemble the raceway to the raceway bracket.
3. Place the power whip into the raceway.
4. Connect the duplex outlet to the whip or jumper.
5. Attach the raceway end cap and splicer.
6. Complete power component installation per row and connect duplex end plug to last duplex power module.
7. Attach the raceway spacers at locations specified on the layout drawings.
8. Attach the raceway cover so the outlet module fills the outlet opening in the cover.
9. Attach seat pivot to arm brackets.
10. Connect electrical whip to the main power source.
11. Mount row and seat numbering (optional).
12. Clean product and site for walk through.

**Note:** Dimensional spacing referenced is centerline to center line unless otherwise noted.



# Mercury Auditorium Seating Assembly Instructions

## ROUTINE CARE AND MAINTENANCE

1. All parts are lubricated for life.
2. Any service should be conducted by an authorized service representative.
3. Perform periodic inspections for loose or broken parts.

**LAMINATE:** To clean the surface, use a damp cloth or sponge and a mild soap or detergent. Difficult stains such as coffee or tea can be removed using a mild household cleaner and baking soda; mixing to achieve a paste consistency. Use a stiff nylon bristle brush, scrubbing (approx. 15-20 strokes) the affected area. Do not scrub so as to mar (damage, scratch) the surface finish. Stubborn stains that resist any of the above cleaning methods may require the use of undiluted household bleach or nail polish remover. Use a cotton ball saturated with bleach or nail polish remover (acetone); gently rub the stain for up to two minutes. Rinse thoroughly with warm water and wipe dry using a soft cloth. This step may be repeated if the stain appears to be going away and the color of the laminate has not been affected.

## CAUTION:

Prolonged exposure of the laminate and powder coat surfaces to bleach will cause discoloration. Always rinse laminate and powder coat surfaces after cleaning! Failure to rinse after cleaning can cause damage; even if a small amount of cleaning solution remains on the surface. A dry residue may be invisible; however, moisture from cups or drinks can reactivate it, and result in permanently etched scars or stains over time.

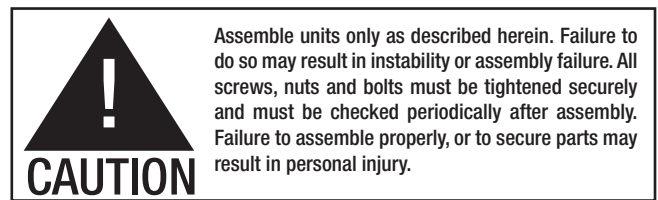
### Recommended Household Cleaners:

- Clorox®\* • Formula 409® • Dawn® • Fantastik®
- Dow Bathroom Cleaner with Scrubbing Bubbles™
- Favor® • Windex® • Lestoil® • Glass Plus®
- Pledge® • Grease Relief® • Mr. Clean® • TOP JOB®
- Lysol® Brand Disinfectant Basin/Tub/Tile Cleaner

\* Prolonged exposure can mar the surface

## CAUTION:

**Acidic** or **abrasive** cleaners can damage laminate and powder coat surfaces; do not use them. Drain cleaners containing lye will permanently damage the laminate surface. If you spill a drain cleaner, wipe it up immediately and rinse several times with water. Hair, textile and food **dyes** can cause permanent stains. If dye should happen to spill, wipe it up immediately with dishwashing detergent or an all-purpose cleaner. Wipe spills away promptly and rinse several times with water.



Rust removers contain harsh chemicals, which will quickly cause permanent damage. If a spill occurs, wipe off all residues immediately, wash thoroughly with soapy water and rinse several times. Steel wool and other abrasive pads will damage the laminate and powder coat face. Do not use them for cleaning and don't store steel wool pads on your countertop; the metal can rust and leave stains. Toilet bowl cleaners contain harsh chemicals that can cause permanent damage. If spills occur, wipe up immediately, wash surface with soapy water and rinse several times.

The cleaners listed below can cause damage to the surface of laminate:


| Chemical Ingredient | Synonymous Names                        |
|---------------------|---|
| Hydrochloric Acid   | Muriatic Acid<br>Hydrogen Chloride      |
| Sulfuric Acid       | Oleic Acid<br>Oil of Vitriol<br>Oleum   |
| Hydrofluoric Acid   | Rust Remover                            |
| Phosphoric Acid     | Rust Remover                            |
| Sodium Hydroxide    | Caustic Soda<br>Caustic Soda Lye<br>Lye |
| Pumice (abrasive)   |   |

Remember, sharp objects can damage the surface of laminate and powder coat surfaces, marring its beauty and lowering wear and stain resistance. Although the laminate and powder coat surfaces are somewhat resistant to scratch and marring, they can be damaged, even under normal use.

Laminate and powder coat surfaces may need occasional dusting depending on where it's used. To keep the surface beautiful, use a non-oily furniture spray. (Remember to clean the spray off several times a year to prevent build-up.) Furniture polish can also help hide fine scratches in the surface.

**UPHOLSTERED FABRIC:** Clean with water-based cleaning agents, foam or pure water-free solvents. Vacuuming or light brushing is recommended to prevent dust and soil buildup. For answers to additional questions regarding care or cleaning please contact Sedia Systems.

# Mercury Auditorium Seating Assembly Instructions



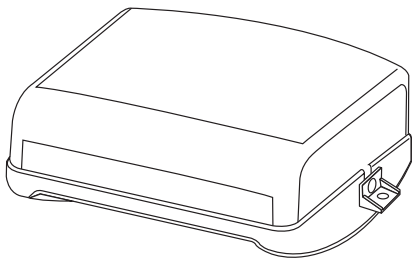
Assemble units only as described herein. Failure to do so may result in instability or assembly failure. All screws, nuts and bolts must be tightened securely and must be checked periodically after assembly. Failure to assemble properly, or to secure parts may result in personal injury.

**CAUTION**

## System Components

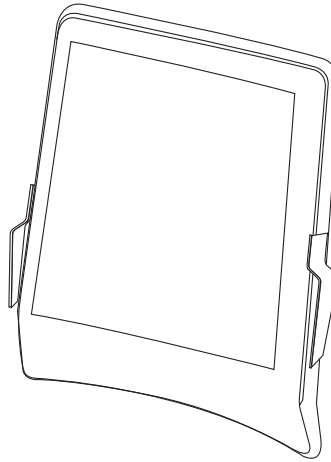
---

### Gravity Lift Seat

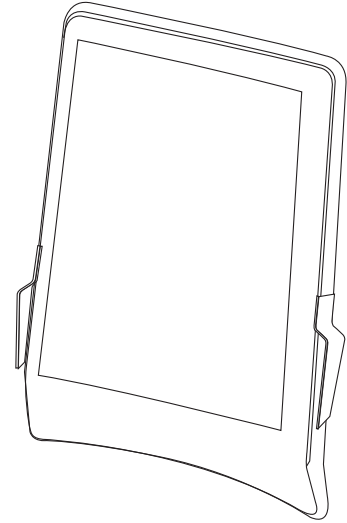


19 - 23 Inch Widths

### Standard Back

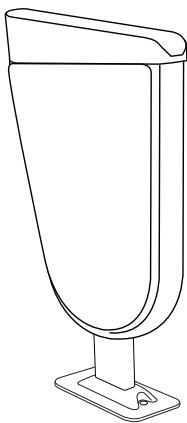


### High Back



---

### Arm Standards



#### Arm Standard 1

- Left Side
- Right Side
- Center



#### Arm Standard 2


- Left Side
- Right Side
- Center



#### Tablet

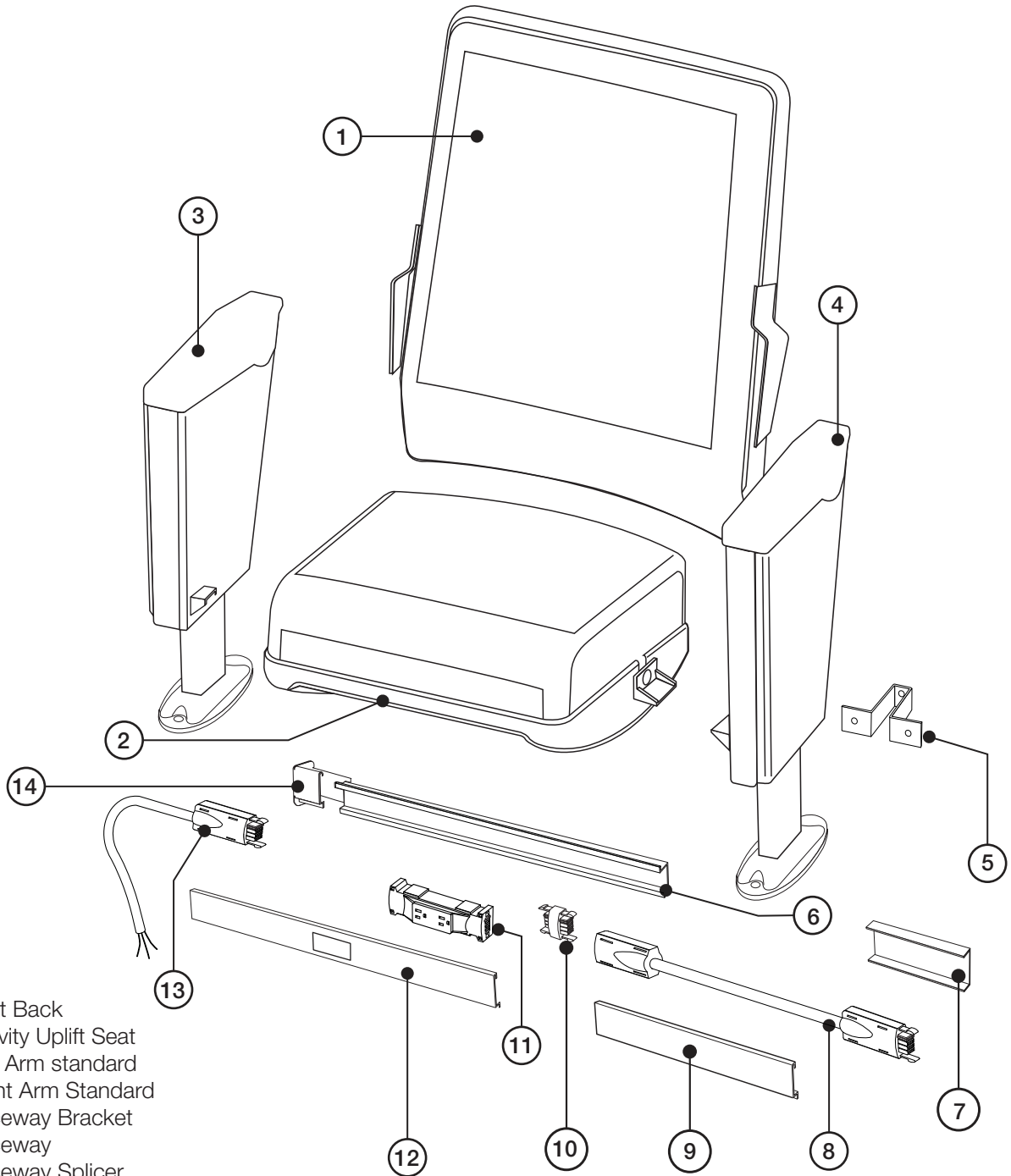
# Mercury Auditorium Seating Assembly Instructions

## Standard Floor Mounted Chair



**CAUTION**

Assemble units only as described herein. Failure to do so may result in instability or assembly failure. All screws, nuts and bolts must be tightened securely and must be checked periodically after assembly. Failure to assemble properly, or to secure parts may result in personal injury.




1. Seat Back
2. Gravity Uplift Seat
3. Left Arm standard
4. Right Arm Standard
5. Raceway Bracket
6. Raceway
7. Raceway Splicer
8. Jumper Cable
9. Raceway Spacer
10. Duplex End Plug
11. Duplex Power Module
12. Raceway Cover
13. Power Whip
14. Raceway End Cap



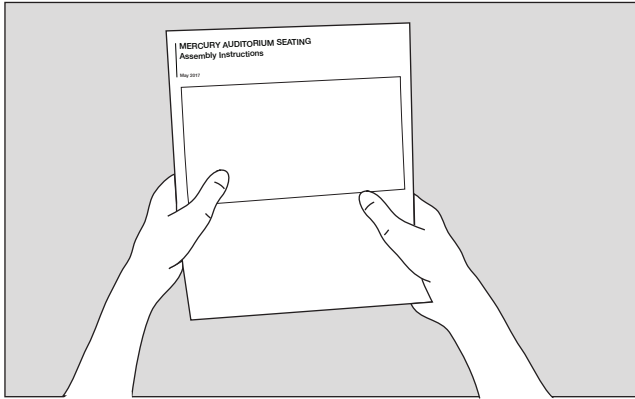
# Mercury Auditorium Seating Assembly Instructions

## Site Preparation

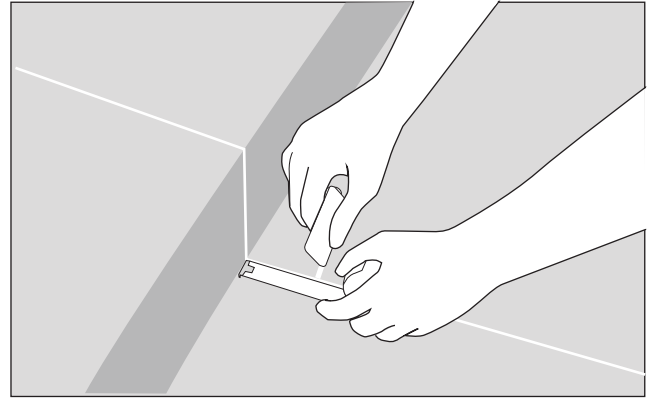


**CAUTION**

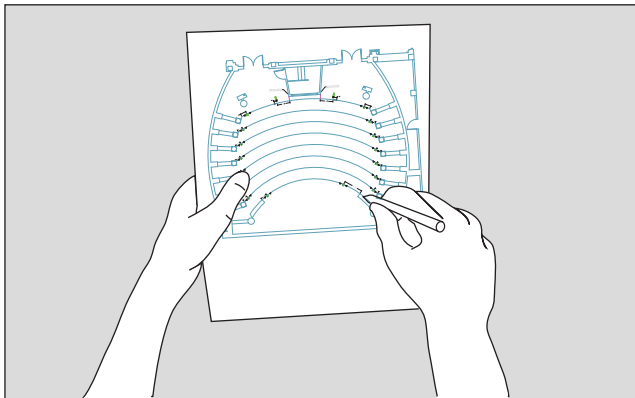
Assemble units only as described herein. Failure to do so may result in instability or assembly failure. All screws, nuts and bolts must be tightened securely and must be checked periodically after assembly. Failure to assemble properly, or to secure parts may result in personal injury.



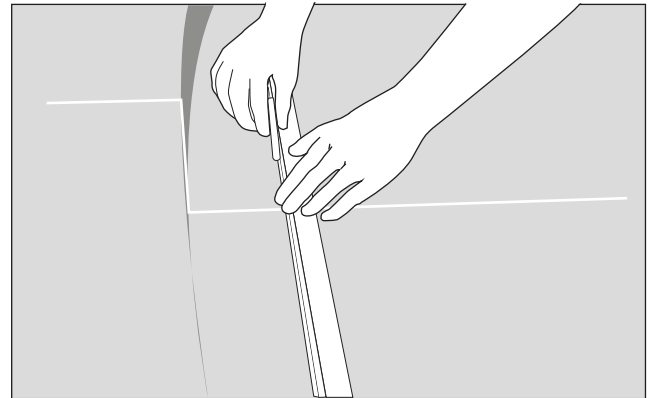
**Step 1:** Read and review the assembly instructions.



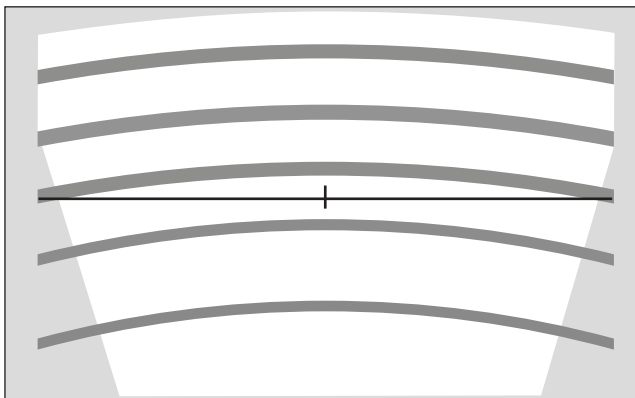
**Step 4:** Use layout drawing to locate row size line from back of riser and mark with chalk.



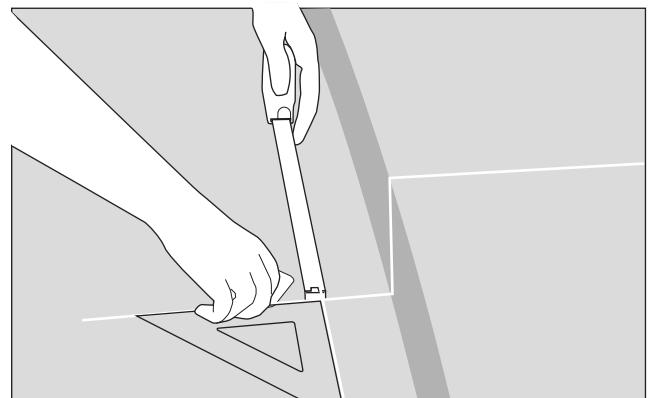
**Step 2:** Refer to layout drawings and verify room dimensions.



**Step 5:** Draw the size line. For radius floor, use 1/4 round or equivalent to get the radius size line.




**Step 3:** Use tape measure to locate room center and other reference dimensions and mark with chalk

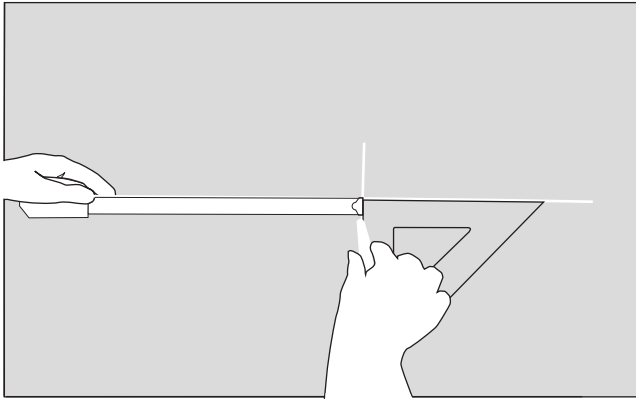


**Step 6:** Mark hole locations of the first chair symmetric the center line and according to the drawing.

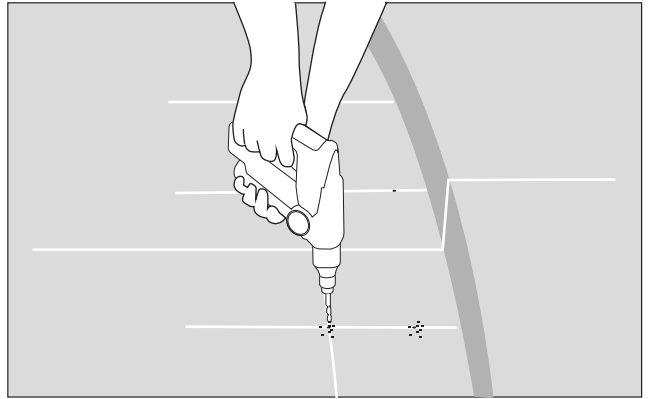
# Mercury Auditorium Seating Assembly Instructions

## Site Preparation

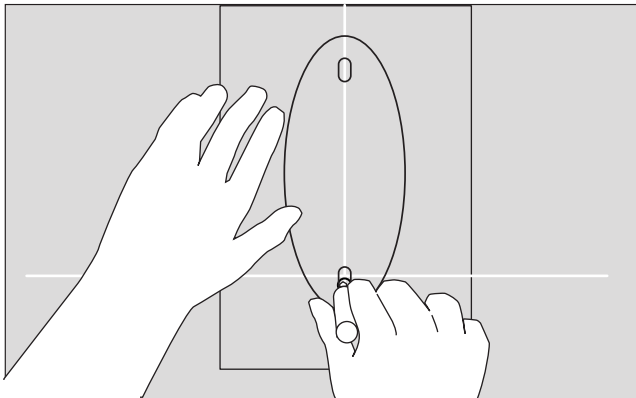
**CAUTION** Assemble units only as described herein. Failure to do so may result in instability or assembly failure. All screws, nuts and bolts must be tightened securely and must be checked periodically after assembly. Failure to assemble properly, or to secure parts may result in personal injury.



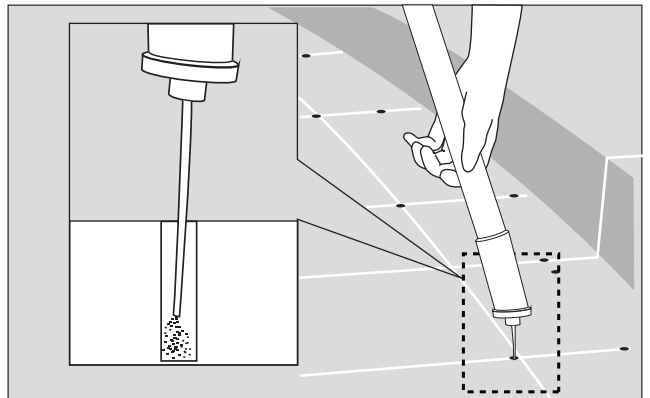
**Step 7:** Mark all hole locations by incrementing dimensions sequentially as per drawing.



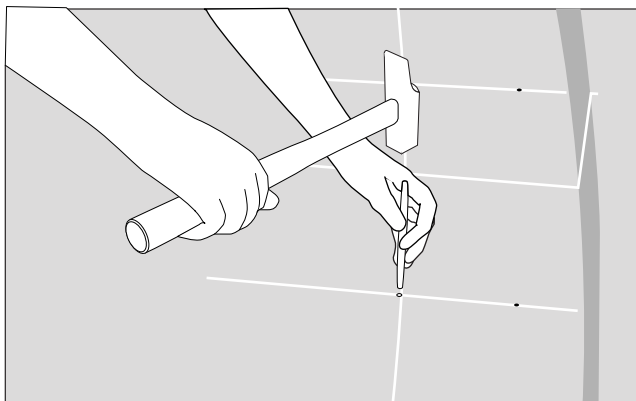
**Step 10:** Drill holes using 1/4" x 4" concrete drill bit. Concrete Floor - 2 holes, Wood Floor - 2 pilot holes only.



**Step 8:** Center drill template and mark hole locations.




**Step 11:** Vacuum holes to remove wood/concrete particles.



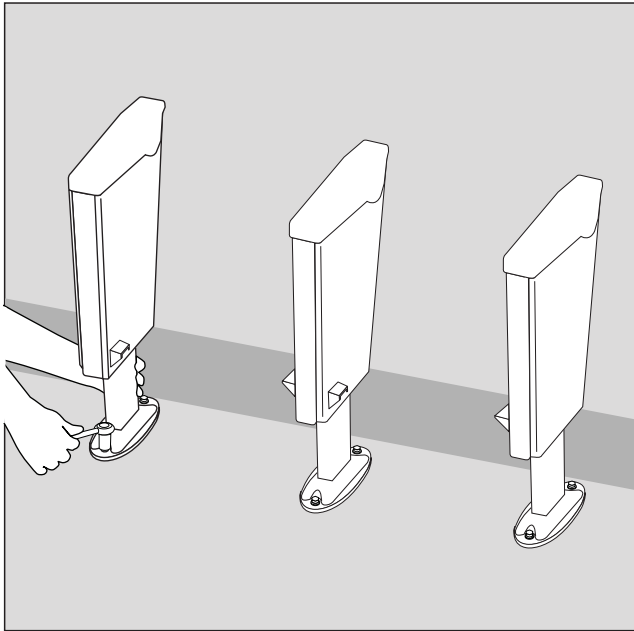
**Step 9:** Punch carpet using hammer and punch. Remove thread material and ensure drill area is free of debris.

# Mercury Auditorium Seating Assembly Instructions

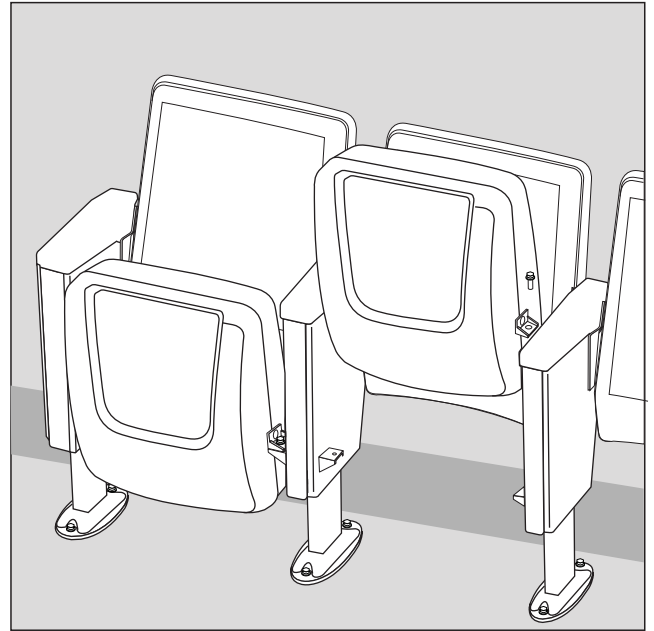
## Chair Installation

**CAUTION**

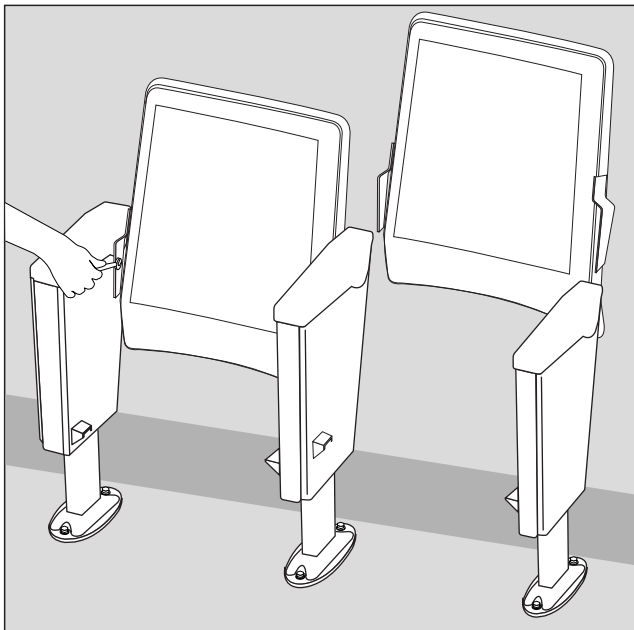
Assemble units only as described herein. Failure to do so may result in instability or assembly failure. All screws, nuts and bolts must be tightened securely and must be checked periodically after assembly. Failure to assemble properly, or to secure parts may result in personal injury.



**Step 11:** Align base and fasten with wood or concrete anchors.




**Step 13:** Assemble seat with bolts to arm standard brackets.



**Step 12:** Assemble back by aligning bracket with holes in arm standard. Tighten center seat backs with a box wrench. Tighten end seat backs with a phillips head screw driver

# Mercury Auditorium Seating Assembly Instructions



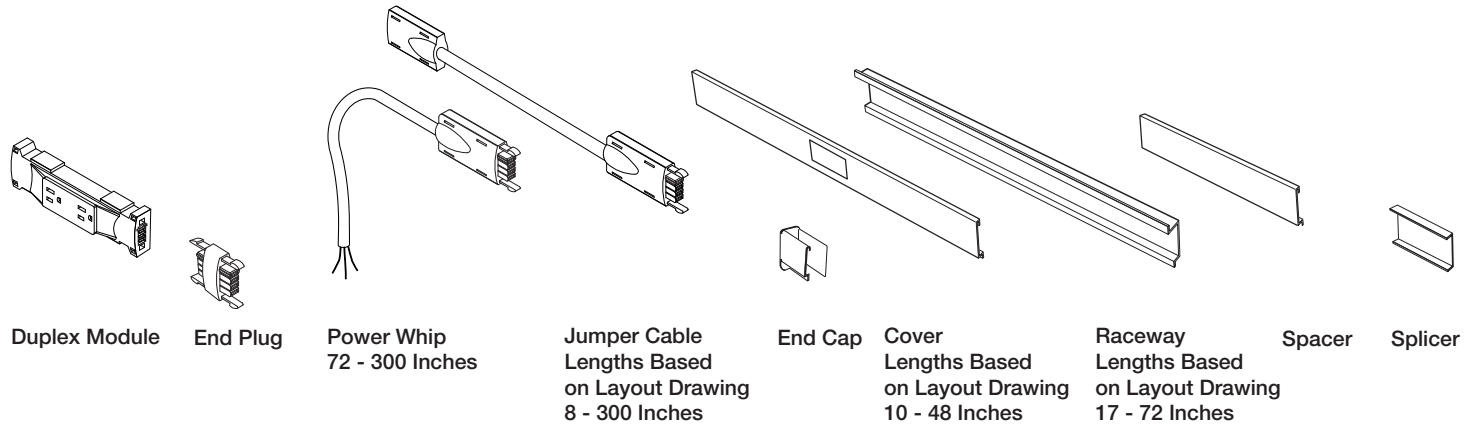
Assemble units only as described herein. Failure to do so may result in instability or assembly failure. All screws, nuts and bolts must be tightened securely and must be checked periodically after assembly. Failure to assemble properly, or to secure parts may result in personal injury.

**CAUTION**

## System Components


---

### Power System



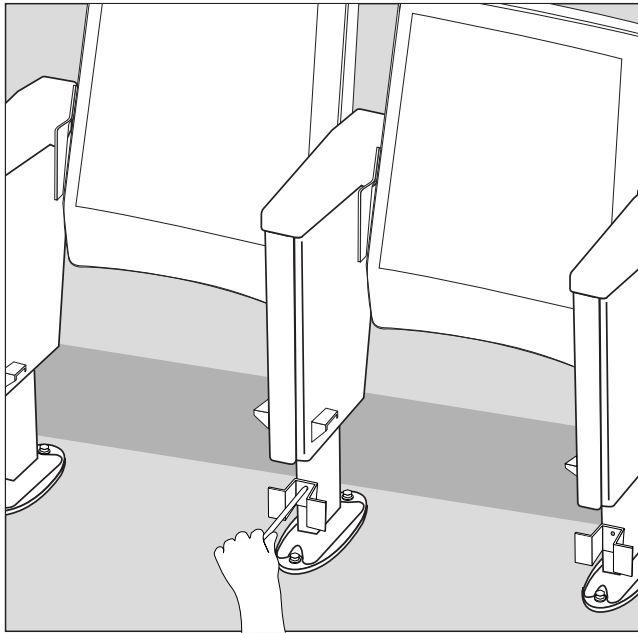
# Mercury Auditorium Seating Assembly Instructions

## Power System Installation

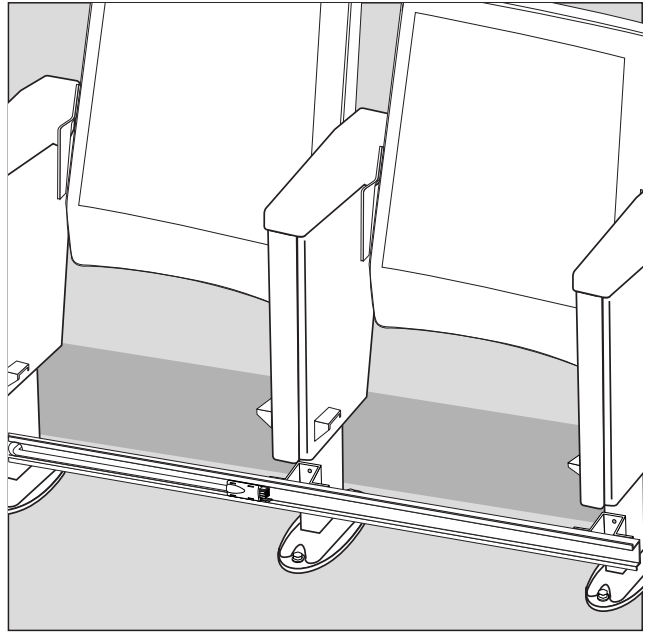


**CAUTION**

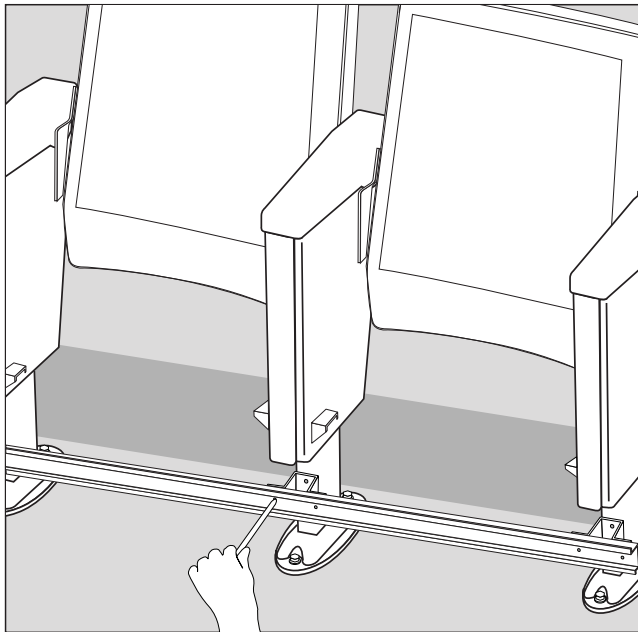
Assemble units only as described herein. Failure to do so may result in instability or assembly failure. All screws, nuts and bolts must be tightened securely and must be checked periodically after assembly. Failure to assemble properly, or to secure parts may result in personal injury.



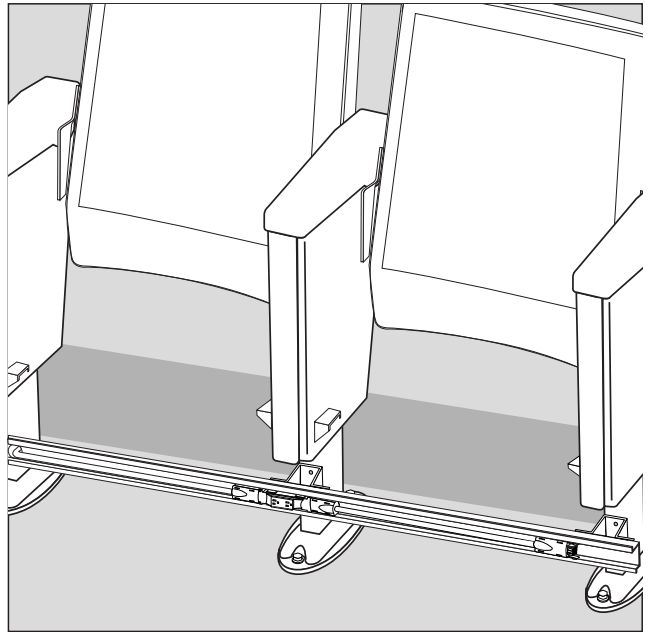
**Step 1:** Before the seat is assembled, attach the raceway bracket to the arm tube.



**Step 3:** Assemble the power whip into the channel through the access hole on the rear side of the raceway.




**Step 2:** Center the raceway and assemble to the raceway bracket with #10x1/4" screws.



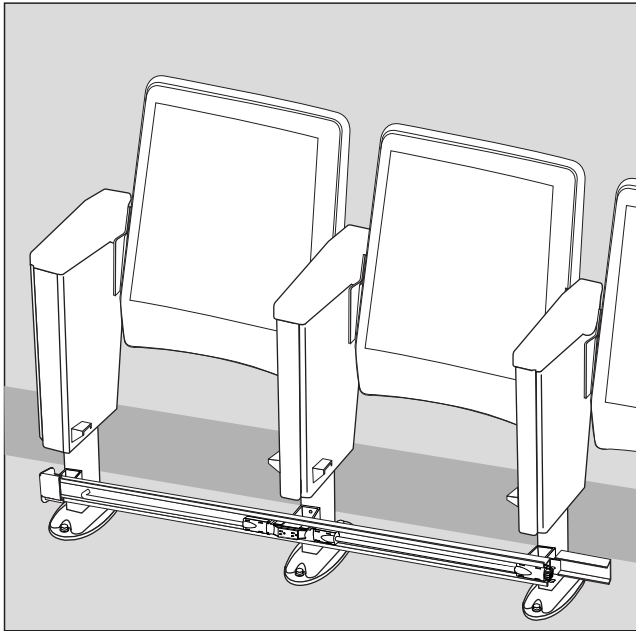
**Step 4:** Assemble the duplex outlet module and the jumper cable to the power whip as per the layout drawings.

# Mercury Auditorium Seating Assembly Instructions

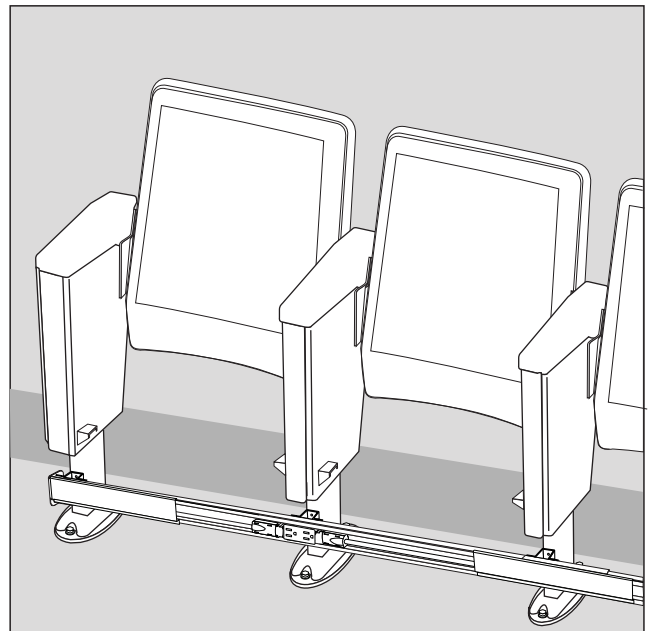
## Power System Installation

**CAUTION**

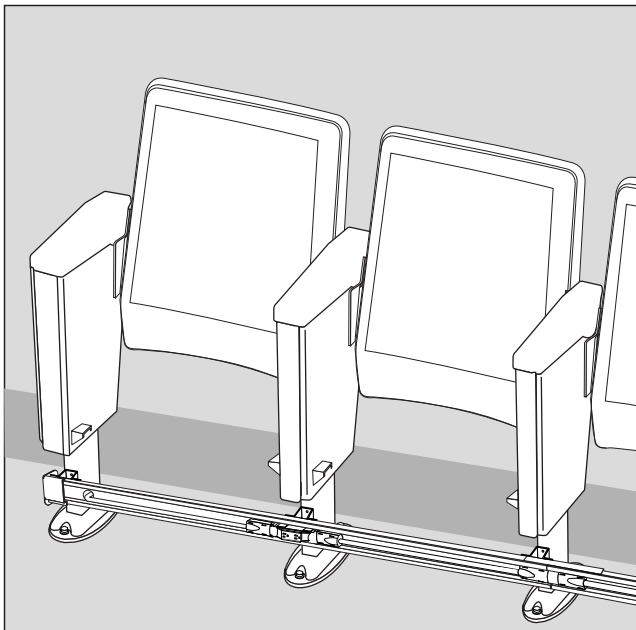
Assemble units only as described herein. Failure to do so may result in instability or assembly failure. All screws, nuts and bolts must be tightened securely and must be checked periodically after assembly. Failure to assemble properly, or to secure parts may result in personal injury.



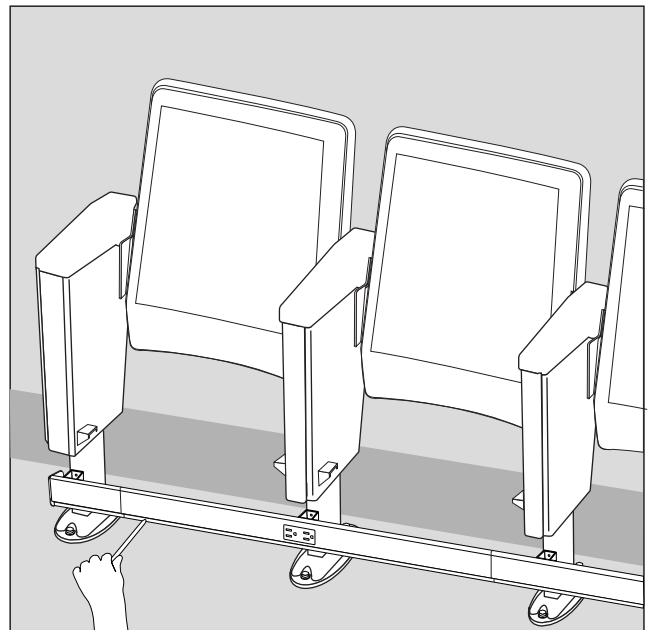
**Step 5:** Attach splicer to continuing end of raceway and the end cap to the power inlet side.



**Step 7:** Assemble the raceway spacers per the layout drawings. Attach with #8x1/2" screws.




**Step 6:** Connect duplex end plug to end of last duplex power module.



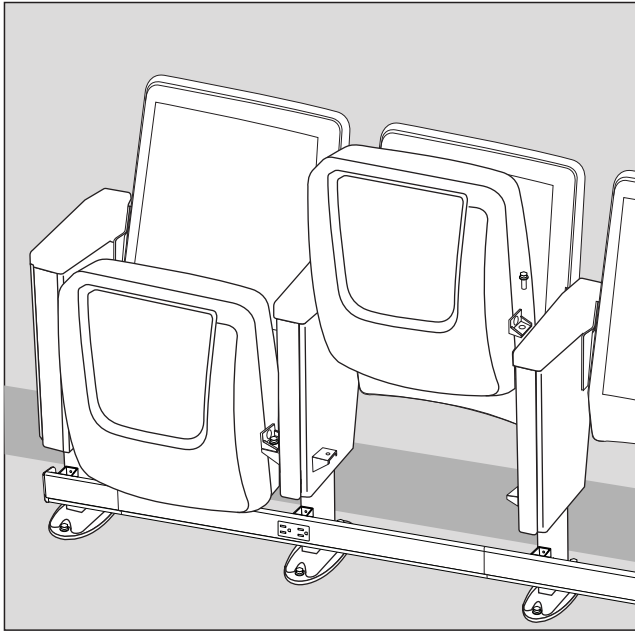
**Step 8:** Assemble the raceway cover so the duplex outlet fills the hole and the cover overlaps the spacers. Attach with #8x1/2" screws.

# Mercury Auditorium Seating Assembly Instructions

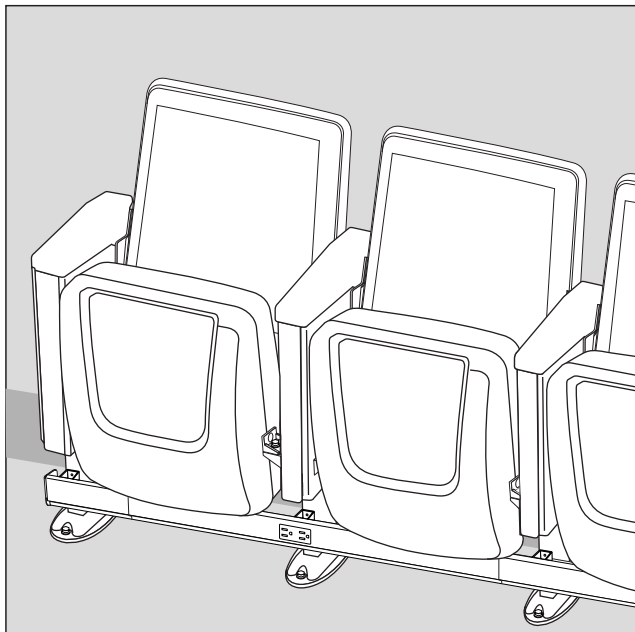
## Power System Installation



**CAUTION** Assemble units only as described herein. Failure to do so may result in instability or assembly failure. All screws, nuts and bolts must be tightened securely and must be checked periodically after assembly. Failure to assemble properly, or to secure parts may result in personal injury.



**Step 9:** Assemble seats with bolts to arm standard brackets



**Step 10:** Have a qualified electrician connect the power system whip to building power source per the 4-wire/2-circuit schematic.